



702001 ACS CART

Storage System

Assembly instructions

Thank you for choosing the Geargrid ACS Storage System. Geargrid is committed to high quality products and your complete satisfaction.

Please read this manual before you start the assembly. Call us at 888-643-6694 if you encounter any assembly or product performance problems.

Before You Begin:

NOTE: Two-person assembly is recommended.

Assembly Preparation:

- Open and remove contents from all boxes
- Check all parts against the parts list
- Organize parts by type
- Locate a clear, level floor
- Lay the shipping carton cardboard on the floor and assemble the unit on it to protect unit from floor damage during assembly

Tools Required:

- Rubber Mallet
- 3/8" and 7/16" sockets with ratchet



THANK YOU FOR CHOOSING GEARGRID for smarter, stronger, storage solutions.
Setting the standard for craftsmanship, quality, and service.

For general parts or assembly assistance: 651-464-4468 or toll free 888-643-6694



For accessory inquiries: sales@geargrid.com or 651-464-4468 or toll free 888-643-6694














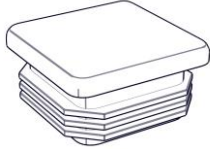



For our versatile product line, specifications and resources for custom solutions: www.geargridcorp.com

670 SW 15th Street, forest lake, MN 55025 | Toll Free: 888-643-6694 | 651-464-4468 | fax: 651-464-4780
Sales@geargrid.com | www.geargridcorp.com

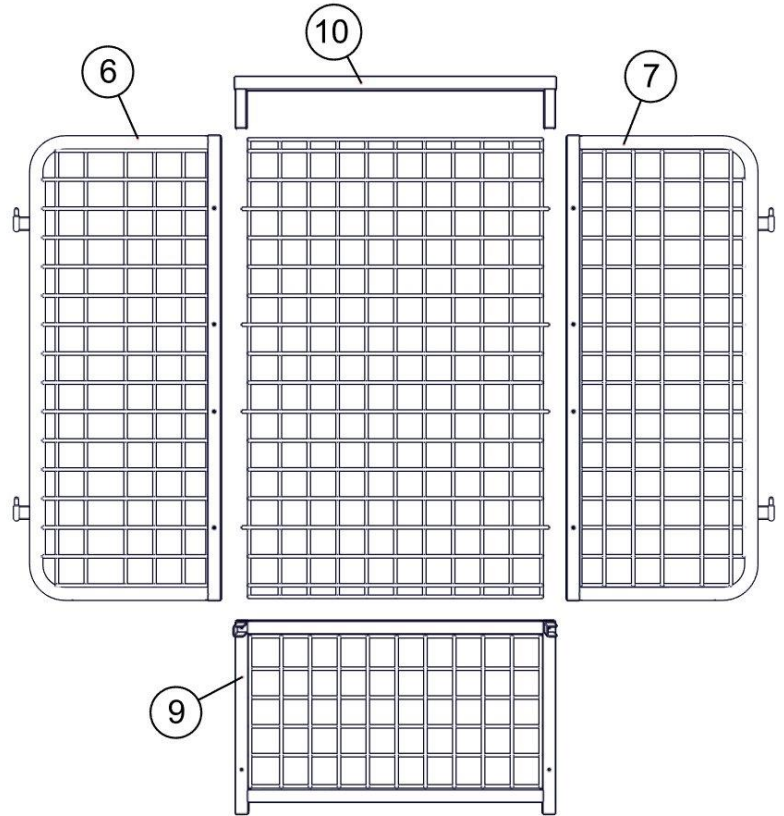
Warranty Information: GEARGRID ACS cart system are guaranteed to be free of material and workmanship defect for one full year from the date of purchase.

Assembly Image Definitions

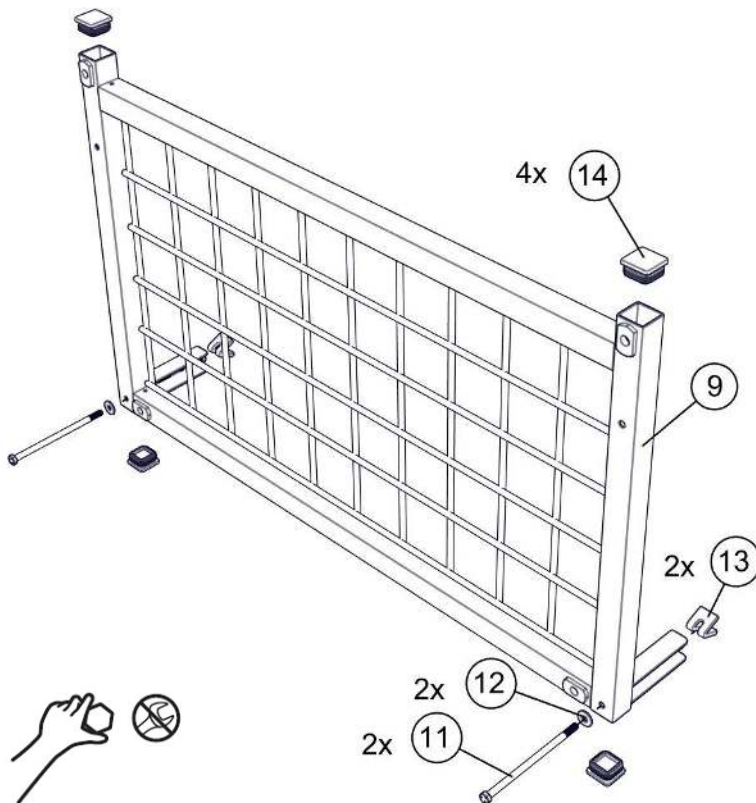
	Finger Tighten		Wrench Tighten
---	----------------	--	----------------

<p>1 Qty: 1</p> 	<p>2 Qty:2</p> 	<p>3 Qty:2</p> 	<p>4 Qty:1</p> 	<p>5 Qty:1</p> 
<p>Shelf/32"WX20"D/ACS</p>	<p>Caster/Locking/ACS/4"X1"</p>	<p>Caster/Non-Locking/ACS/4"X1"</p>	<p>Door/Left/ACS</p>	<p>Door/Right/ACS</p>
<p>6 Qty:1</p> 	<p>7 Qty:1</p> 	<p>8 Qty:1</p> 	<p>9 Qty:1</p> 	<p>10 Qty:1</p> 
<p>Side, ACS -Left</p>	<p>Side, ACS -Right</p>	<p>ACS Back 32"X48"</p>	<p>32" Base/ACS</p>	<p>32"/1 Start</p>
<p>11 Qty:4</p> 	<p>12 Qty:4</p> 	<p>13 Qty:4</p> 	<p>14 Qty:10</p> 	<p>15 Qty:2</p> 
<p>Capscrew-Hx 1/4-20X5-1/2"</p>	<p>Washer-Flat- 1/4 In Uss Zinc</p>	<p>Wedge Nut</p>	<p>Plug-Square-1-1/4 in Sq 16Ga</p>	<p>Screw-Sheet Metal-Hx #14X2"</p>
<p>16 Qty:2</p> 	<p>17 Qty:4</p> 			
<p>ACS Cor-Plas Shelf Liner</p>	<p>Bushing-Brass Hinge- 13mm-Gear</p>			

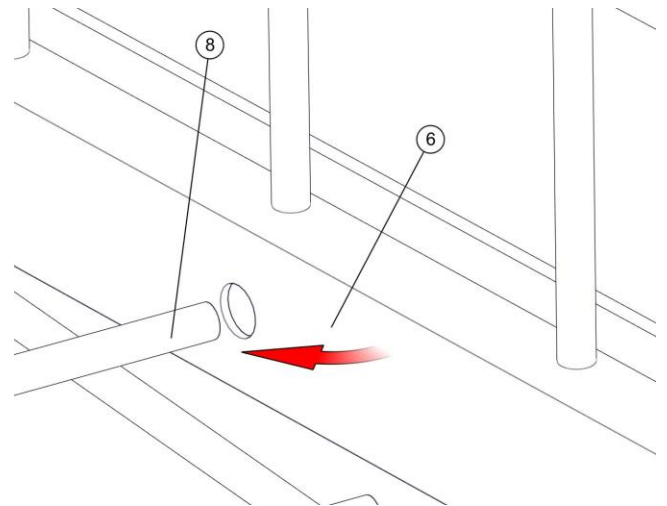
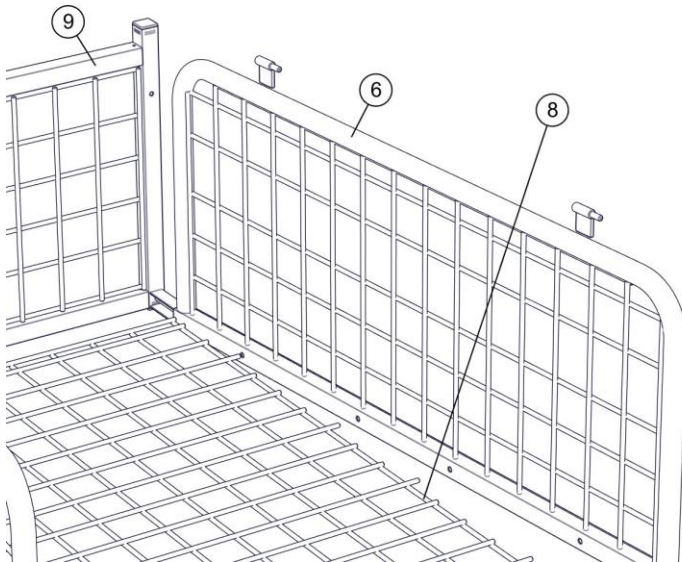
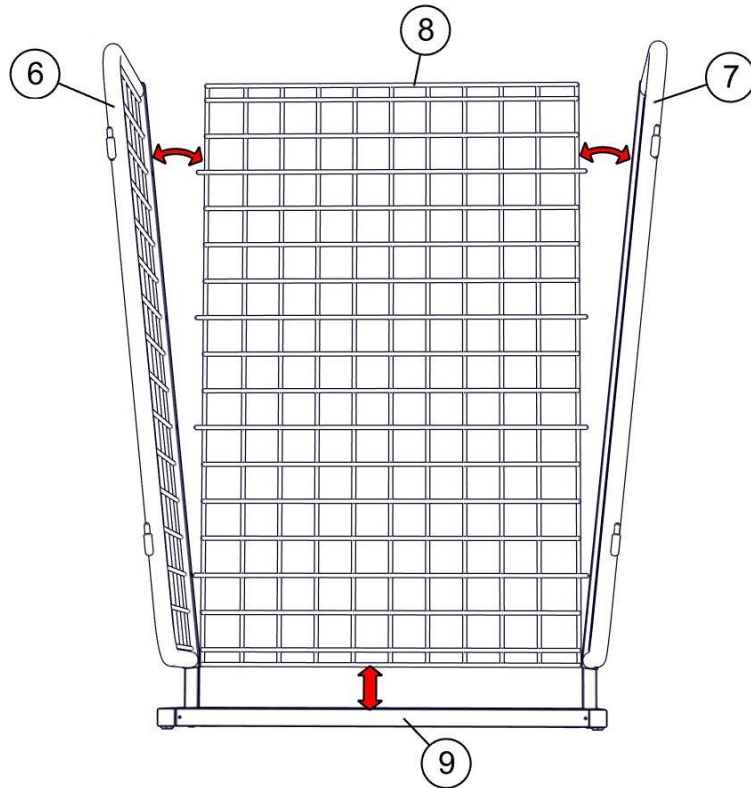
Step 1



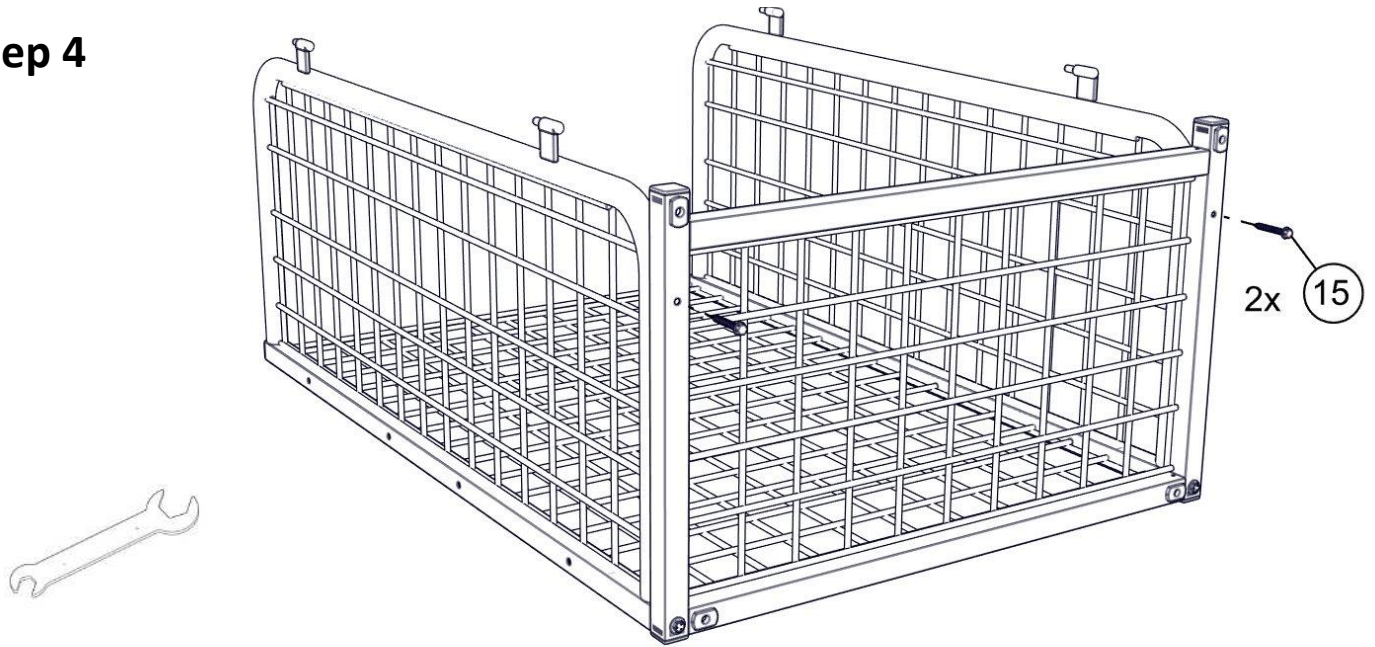
Step 2



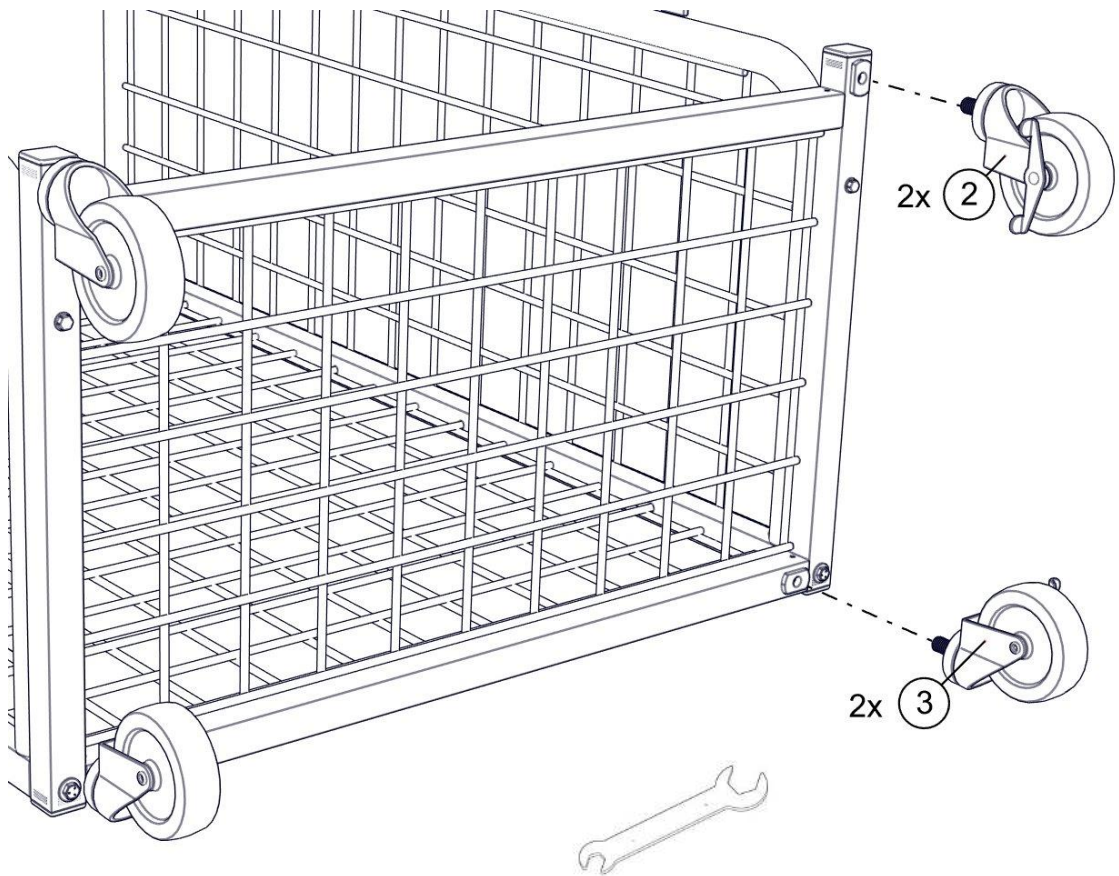
Step 3



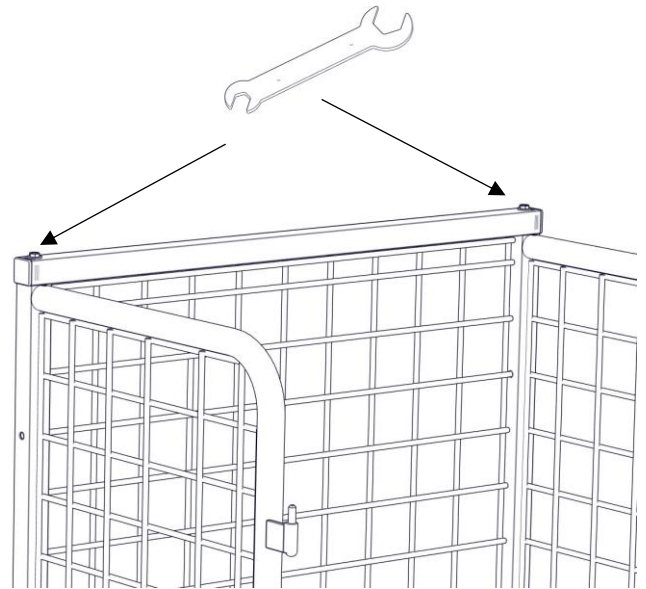
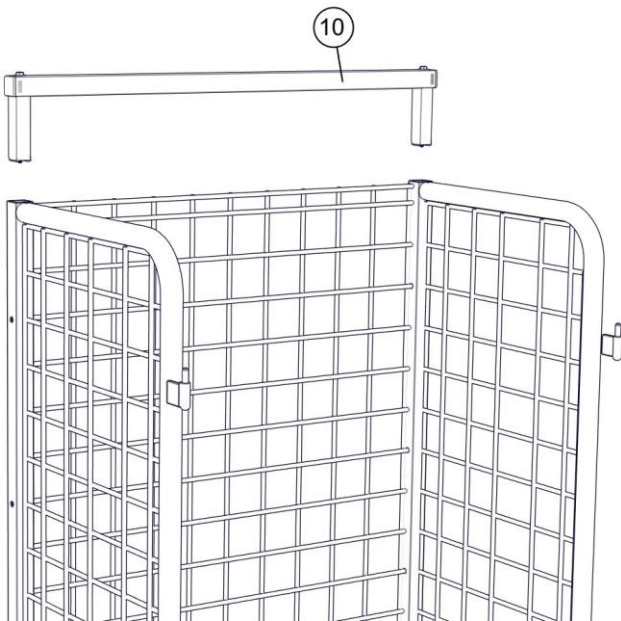
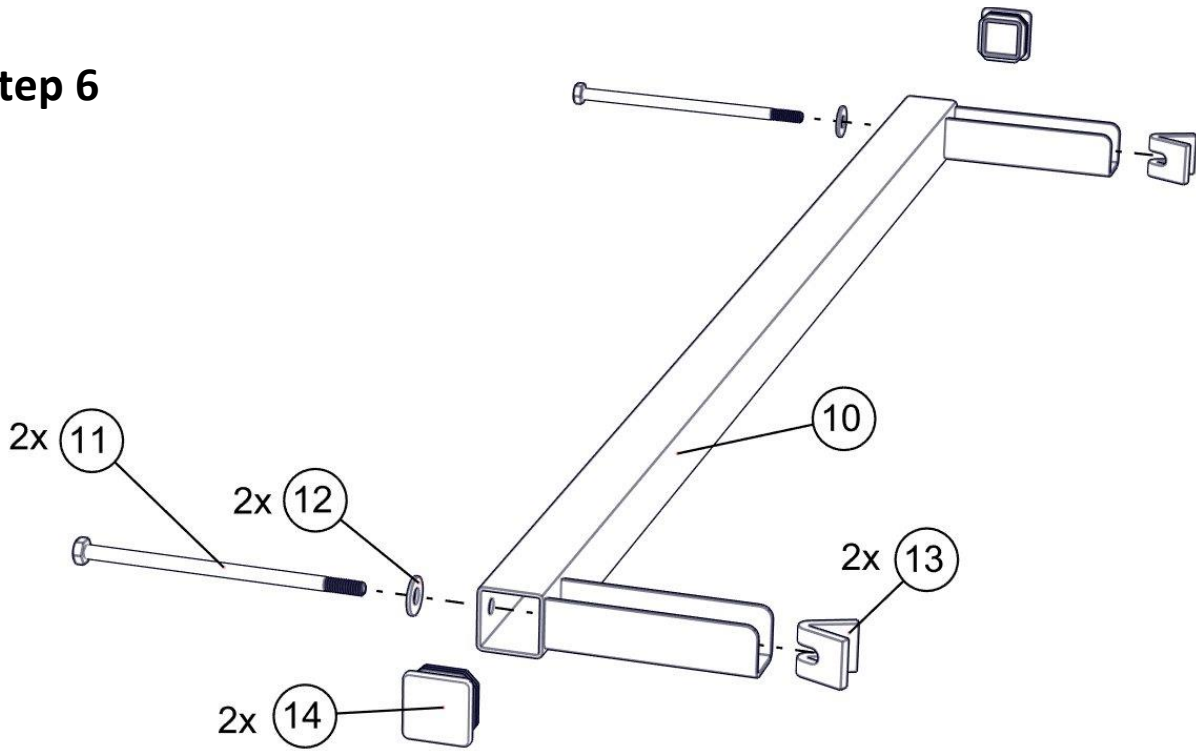
Step 4



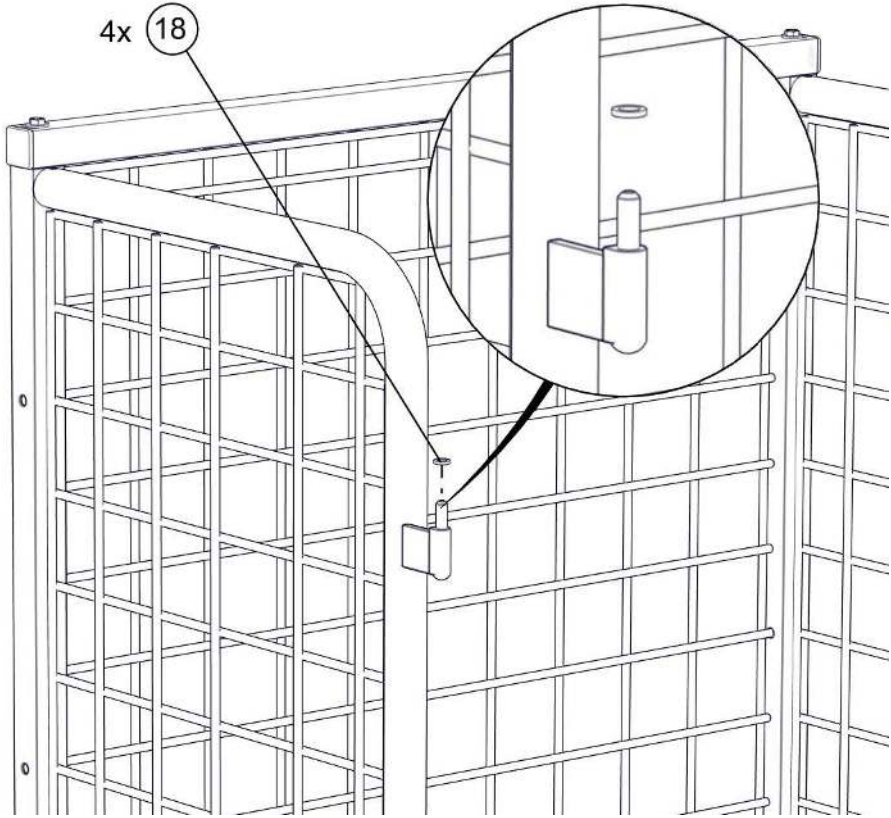
Step 5



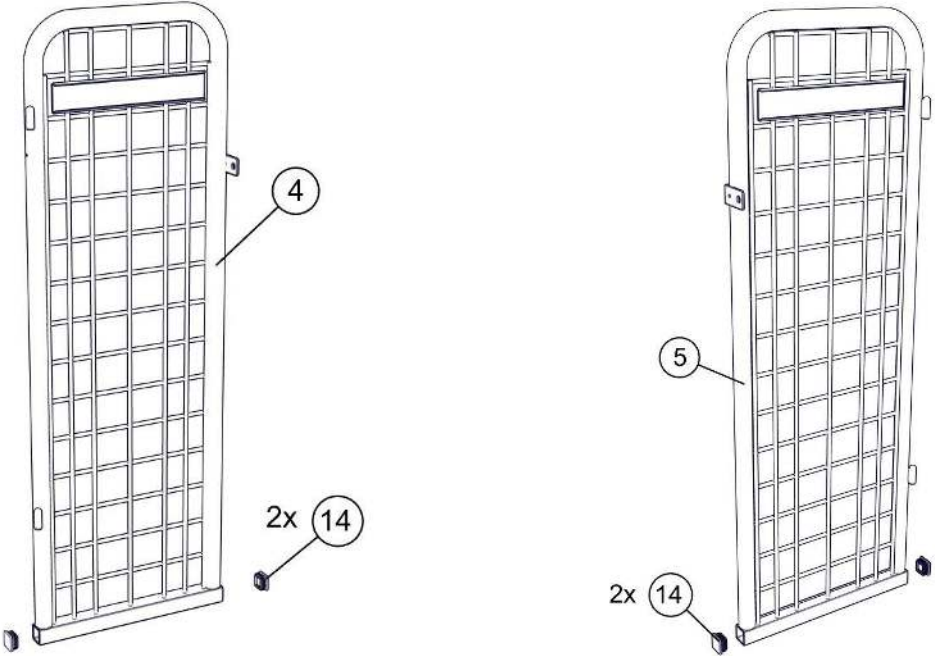
Step 6



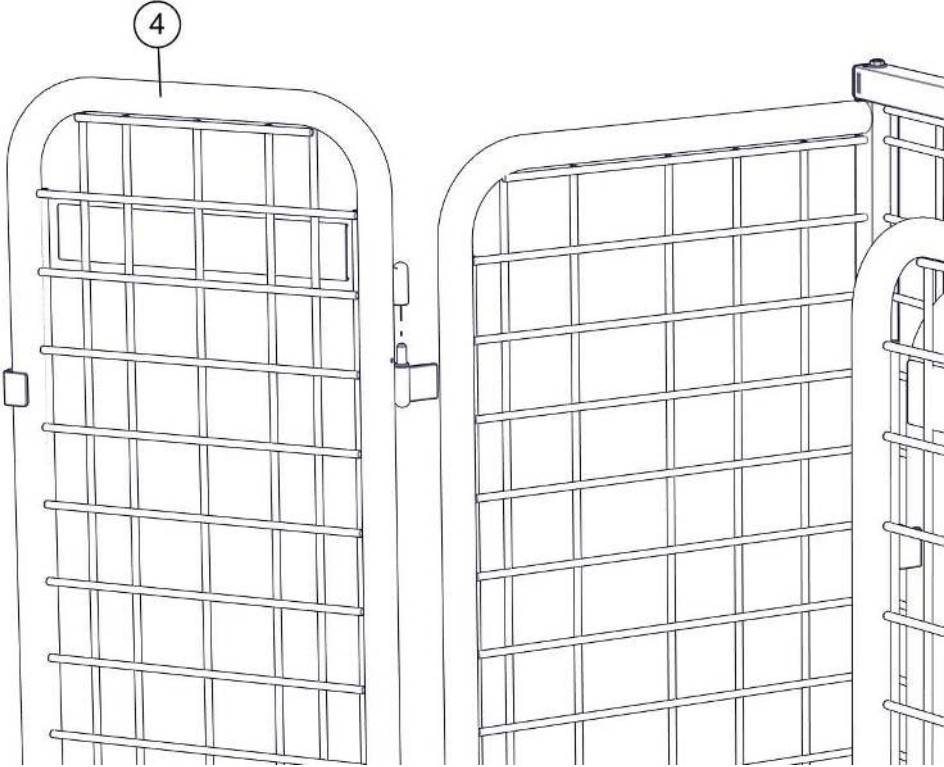
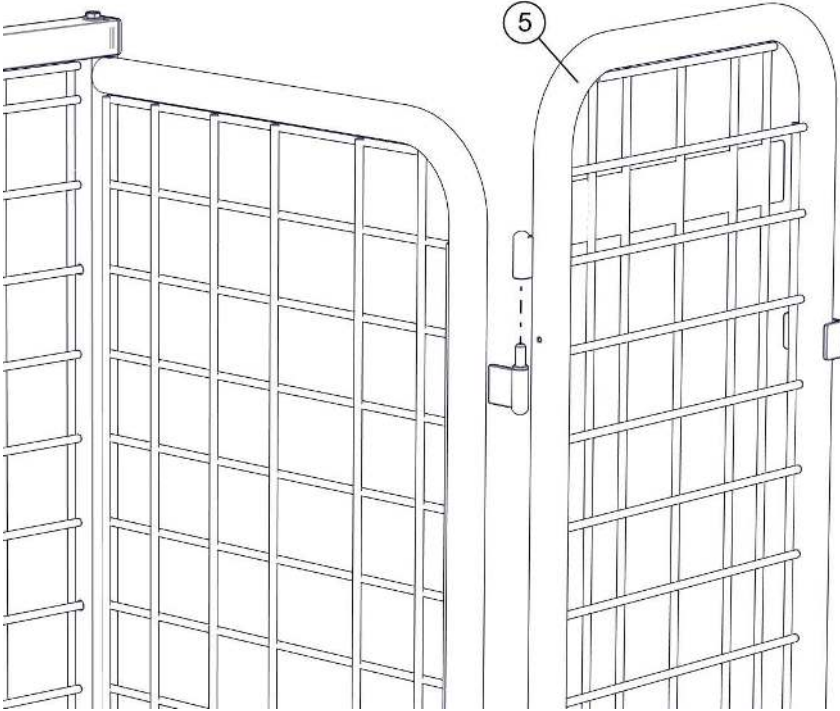
Step 7



Step 8

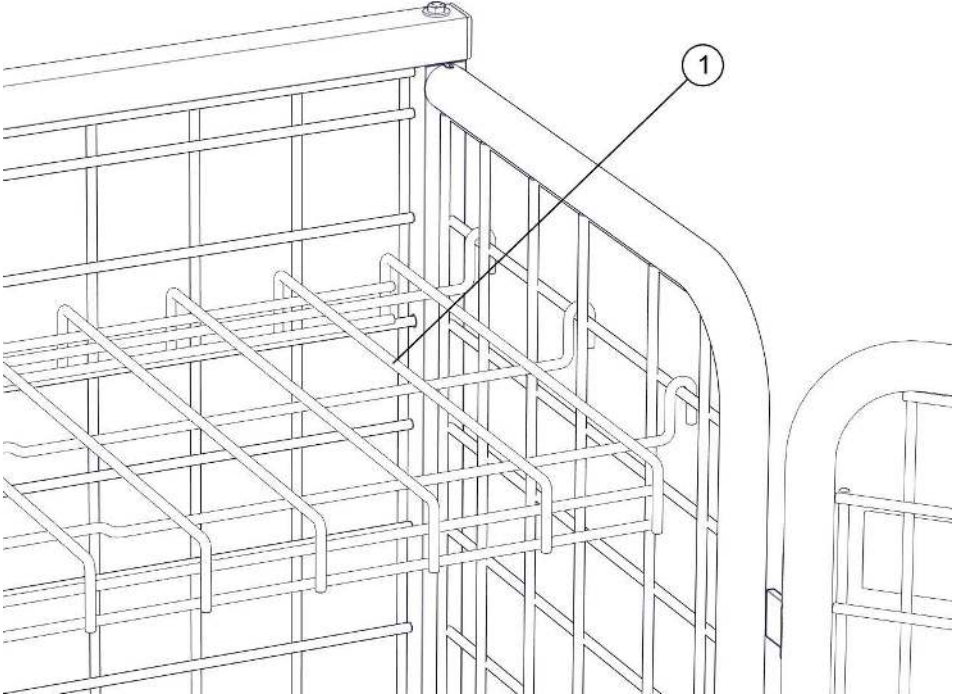


Step 9

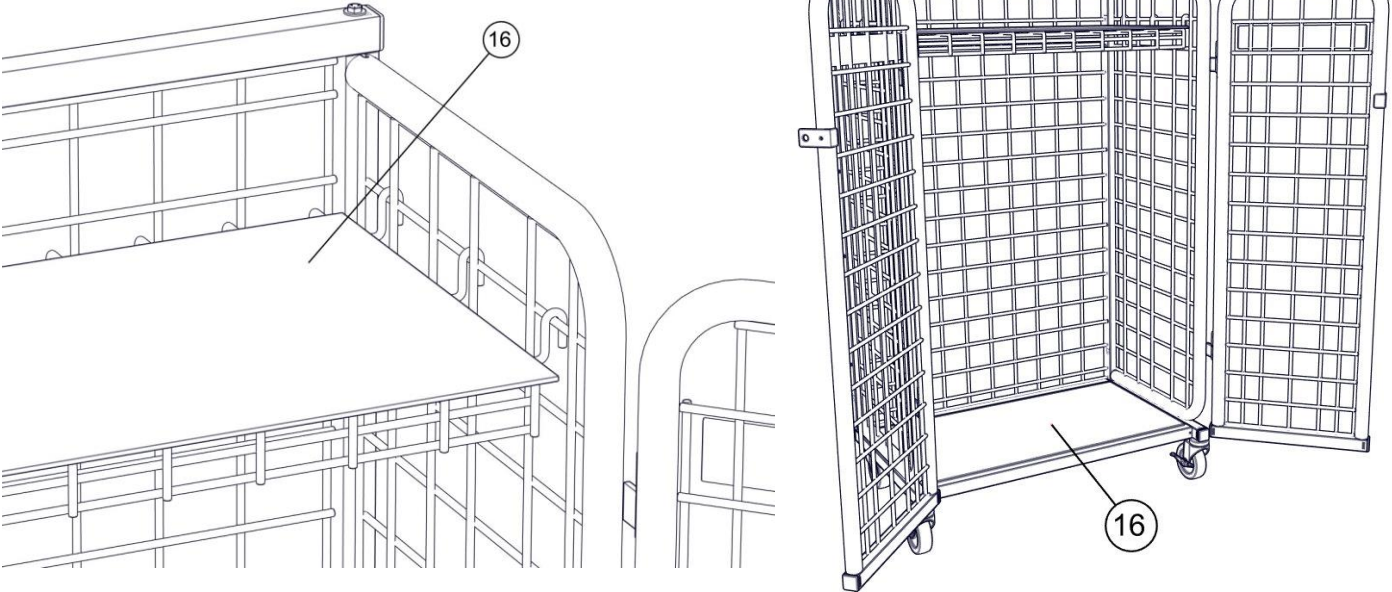


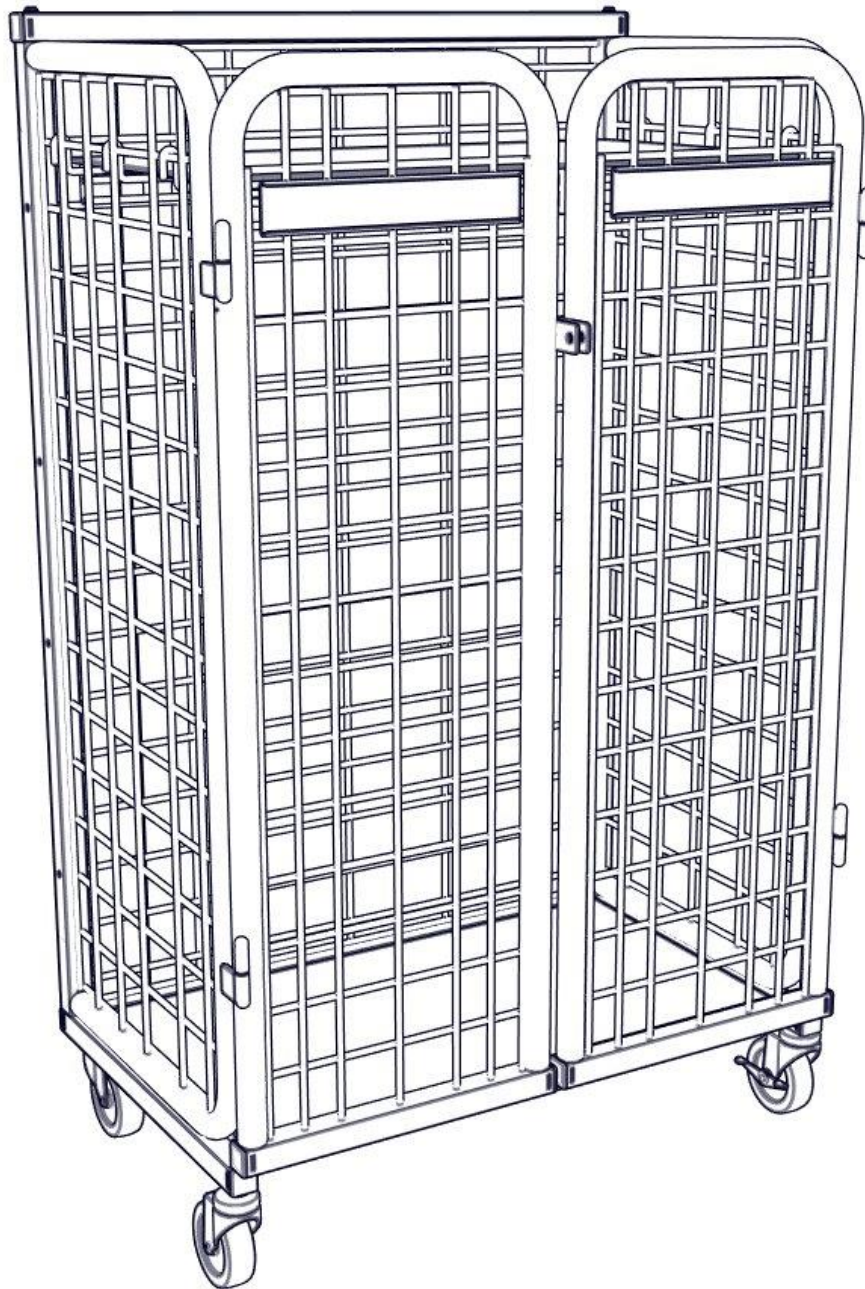
Assembly

Step 10



Step 11





Congratulations!
You have completed the assembly.