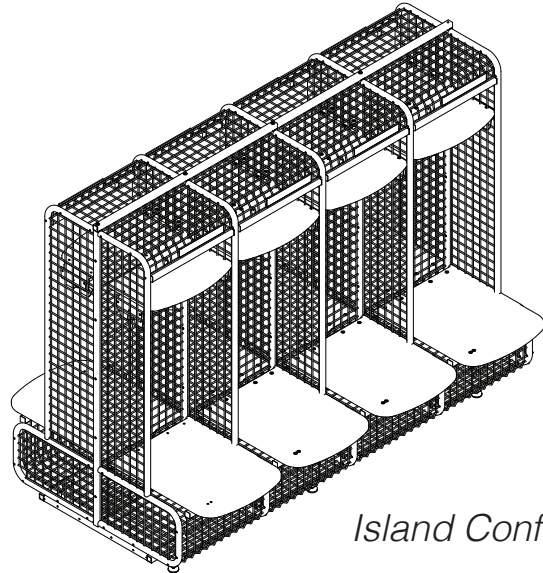


Wall Configuration



Island Configuration

* GearGrid Lockers come in a variety of sizes; 18", 24" and 30". This instruction manual is to be used for all size variations.

Before You Begin:

IMPORTANT

- Two people are required for assembly.
 - Please read and understand all instructions before starting the assembly or installation.
 - If additional information is needed, please contact GearGrid using the contact information below.
- Observe all local building codes.
 - Check placement; avoid drilling into plumbing and electrical wires.
- ### Assembly Preparation:
- Open and remove contents from all boxes.
 - Check all parts against the parts list.
 - Organize parts by type.
 - Locate a clear, level floor.
 - Lay the shipping carton cardboard on the floor and assemble the unit on it for protection during assembly.

Tools Required:

*Two sets of tools are recommended for the installation.

- Cordless Drill
- Phillips Drive Bit
- 7/16" and 1/2" Combination Wrench
- Carpenter's Level
- Tape Measure
- 50-foot Chalk Line
- Mallet
- Impact Driver
- Hammer Drill
- Cement Bits (as required for anchors)
- 8+ Ratcheting Clamps
- 16' Ratchet Strap
- 4 mm Hex Wrench
- 3/16" Hex Wrench
- 7/16" Nut Driver
- 3/8" Nut Driver
- 1/4" Hex Wrench

Thank You for choosing GearGrid for smarter, stronger storage solutions.

Contact us-

- For general parts or assembly assistance: CALL **651-464-4468** or toll free **888-643-6694**
- For accessory inquiries: EMAIL sales@geargrid.com or CALL **651-464-4468**, toll free **888-643-6694**
- For our versatile product line, specification and resources for custom solutions: www.geargridcorp.com

670 SW 15th Street, Forest Lake, MN 55025

Contents

Important User Information	1	Locker Doors (optional)	7
General		Back Panel (optional)	8
Manufacturer		Pre-Installation Assembly	9
Intended Use		Wall Configuration Installation	10
Overview		Island Configuration Installation	19
Safety Precautions / Maintenance	2	Final Assembly	28
Hardware (Supplied & Not Supplied)	3	Standard Door Latch Installation (optional)	33
Wall Configuration Components	4	ADA Door Latch Installation (optional)	34
Island Configuration Components	5	Warranty	35
Start, Extension and Base Variations	6		

Important User Information

General

Copyright © 2019 by GearGrid® LLC

All rights reserved. No part of the contents of this manual may be reproduced, copied, or transmitted in any form or by any means including graphic, electronic, or mechanical methods or photocopying, recording, or information storage and retrieval systems without the written permission of the publisher, unless it is for the purchaser's personal use.

Printed and bound in the United States of America.

Manufacturer

The GearGrid® Gridiron / Personal Locker is manufactured by:

GearGrid LLC
670 SW 15th Street
Forest Lake, MN 55025
888-643-6694
www.geargrid.com

Intended Use

- This product is intended for indoor use in normal ambient temperature and humidity conditions — it must not be exposed to outside weather conditions.
- This product is intended to be assembled only as described in these instructions.

Storage Locker Overview

GearGrid Lockers can be ordered in a variety of different “run” configurations. A “run” is simply the number of locker openings that exist in a configuration. Each “run” is assembled and installed in sets of 2 or 3 lockers, beginning with a “start” set of lockers, and continuing with subsequent “extension” sets of lockers.

These instructions will walk you through, step-by-step, how to install any configuration that has been ordered. The quantity of each part included with your order depends on your configuration. GearGrid recommends assembly of systems from left to right.

Safety Precautions

Throughout this manual you may find cautions and warnings which are defined as follows:

NOTICE

This statement is used when general information or a tip could help the user properly assemble or install the locker.



CAUTION

This statement is used when serious personal injury or damage to property may result if not followed properly.



WARNING

This statement is used when serious personal injury or death may result if not followed properly.

Read all of these safety instructions before assembling and installing the Locker. Failure to comply with Warning and Cautions in the document can result in property damage or serious personal injury.



CAUTION

To avoid damage and personal injury, more than one person is always needed for installation.



CAUTION

Make sure anyone assembling or installing the GridGear locker has read and understands these instructions.

Safety Overview

- *This system must be installed only by a skilled technical person whom has carefully studied these instructions.*
- *Make sure that the space designated for the locker is large enough to safely handle the cartons, parts and accessories.*
- *Before installation, inspect the condition of the wall and floor where the lockers are intended to be located. If the wall is not straight, establish a reference line so that the fronts of all lockers will line up. Also, determine the highest point on the floor, which will establish the leveled height of each row of lockers.*

General Usage

- *The locker shelves are not designed to carry heavy loads of weight.*
- *Never hang from or climb on lockers.*



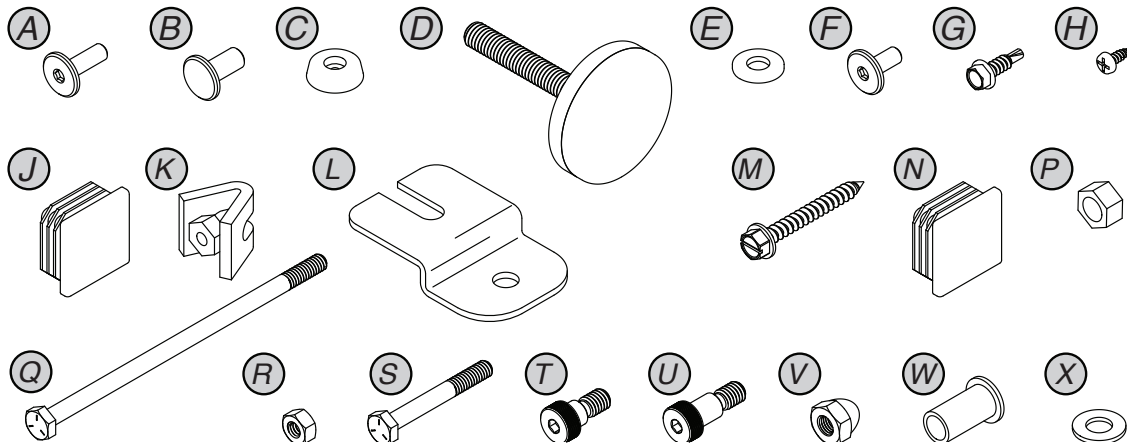
WARNING

Never place more than 100 lbs (45 kg) on a shelf. Overloading or shock-loading lockers could cause a collapse, resulting in property damage, serious personal injury, or death.

Maintenance

- *Clean the locker and it's components with a mild detergent. Avoid using harsh or abrasive cleaning products.*
- *Check hardware periodically to ensure they have not loosened or dislodged.*

Supplied Hardware



Item	Description	Item	Description
A	Joint Conn Bolt, 1/4-20 x .591	N	Square Plug, 1 1/4" 16 ga
B	Insert Nut, 1/4-20	P	Nut, Hex 3/8-16
C	Seat Bumper	Q	Cap Screw, Hex 1/4-20 x 5 1/2
D	Leveler / Guide 3/8-16 x 2	R	Nut, Hex 1/4-20
E	Flat Washer, 1/4	S	Capscrew, Hex 1/4-20 x 2
F	Joint Conn. Nut, 1/4-20 x .472	T	Shoulder Bolt, 3/8 x 1/4
G	Screw, 12-14 x .75 self drilling	Door Hardware	
H	Seat Bumper Screws		
J	Square Plug, 1 1/4" 11 ga	U	Shoulder Bolt 3/8 x 1/2
K	Wedge Nut	V	Acorn Nut, 5/16 - 18
L	Floor to Foot Clamp	W	Brass Bushing 3/8 id x 1/2 od
M	Sheet Metal Screw, Hex #14 x 2	X	Nylon Washer 3/8 id x .75 od

Structural Anchors (Not Supplied)

Because materials and construction of floors and walls can vary, hardware for attaching the GearGrid Locker to the structure are not provided. The installer must choose the appropriate fastener and follow the manufacturer's directions.



CAUTION

The use of inferior or improperly installed hardware could cause the locker to collapse. Failure to follow this caution may result in property damage or serious personal injury.

Locker Hardware Guidelines:

Depending on what type of wall application you are securing the locker to, will require the basic guidelines listed below.

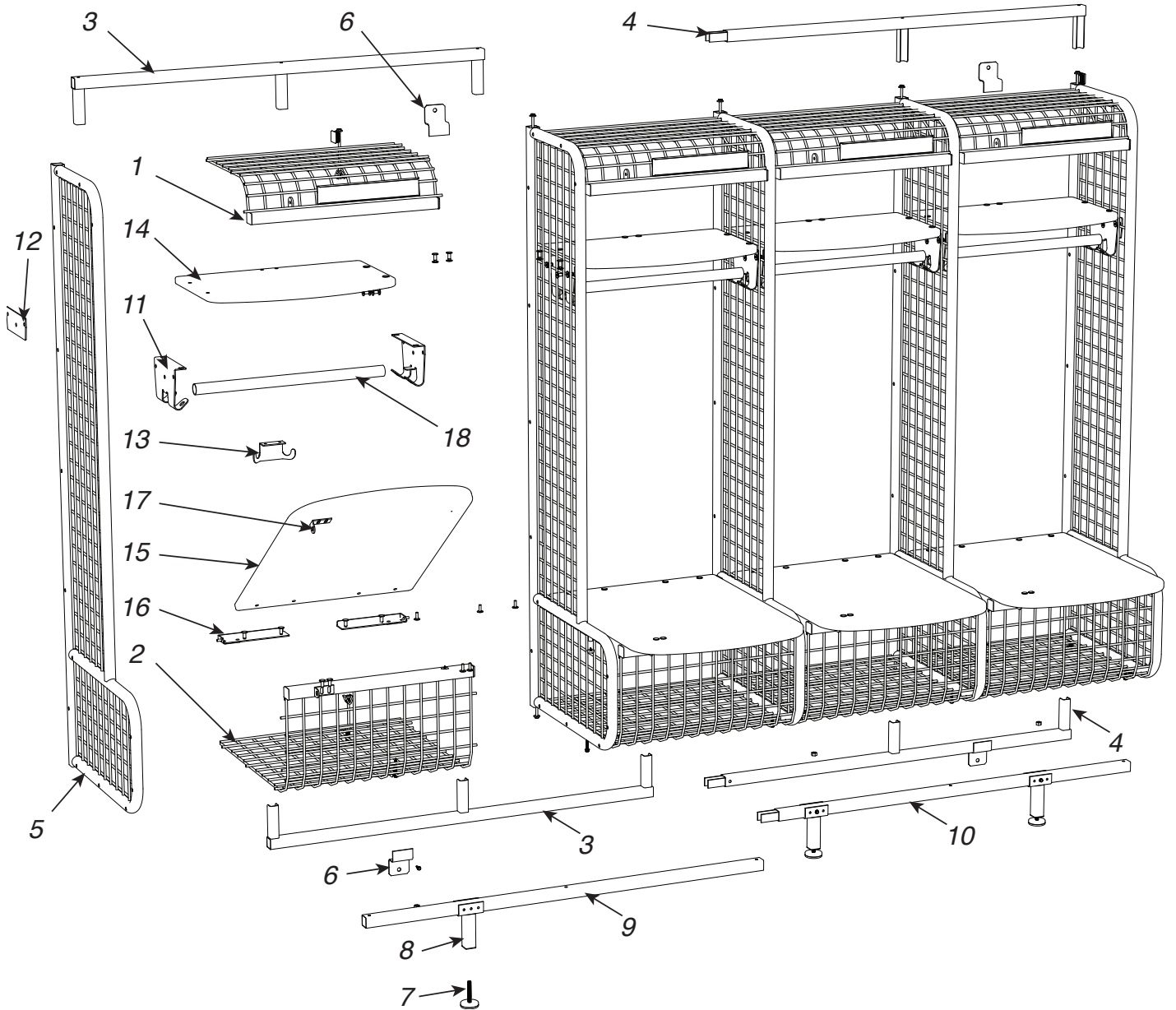
CONCRETE = attachment should be 3/8 x 1 7/8" sleeve type anchor bolt.

WOOD STUD W/ DRYWALL = attachment should 3/8" x 2" lag screws into each stud.

NOTICE

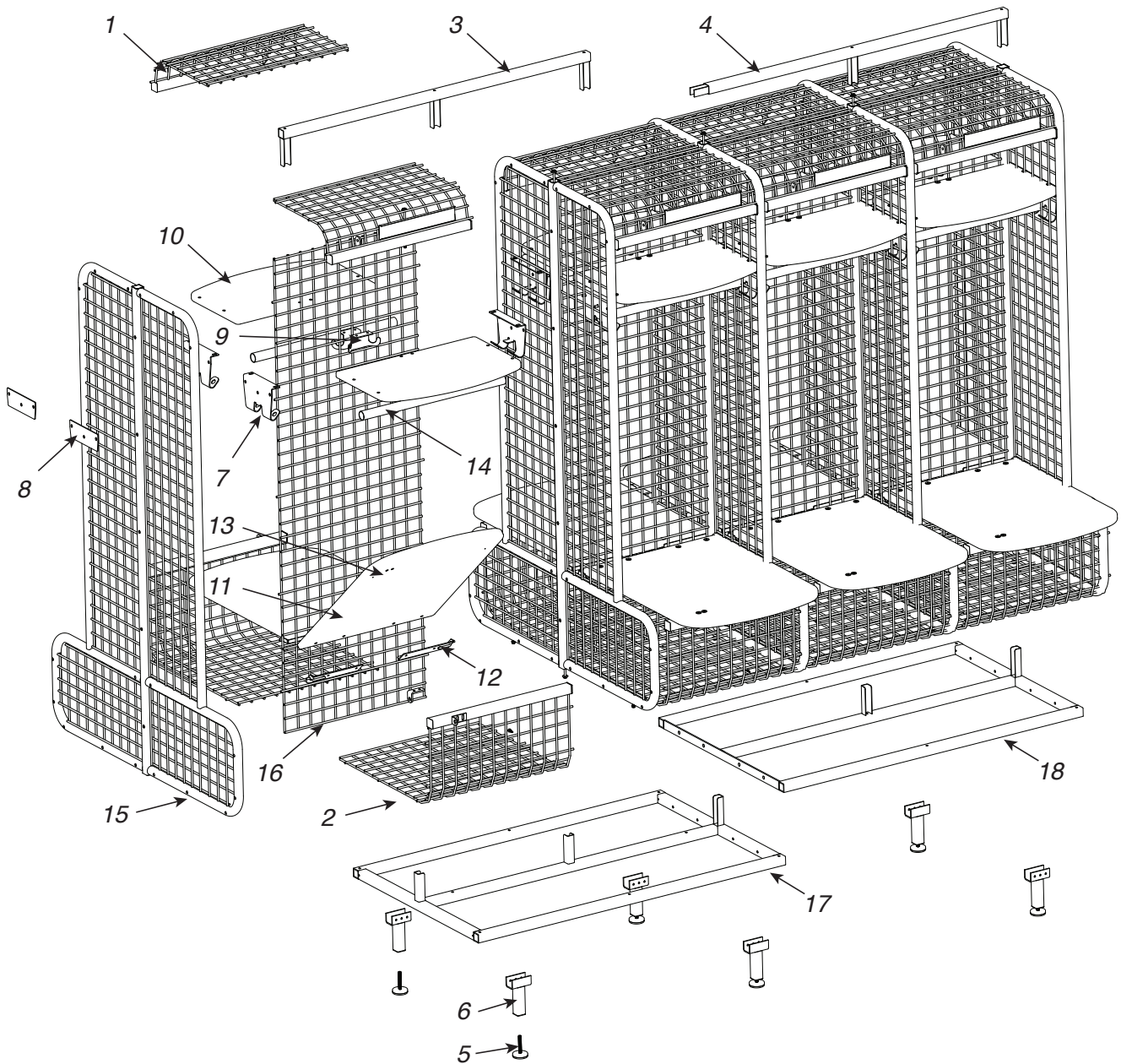
Each wall and floor connection must be rated for a minimum of 500 lbs (227 kg) of tension.
Other hardware may be used if the connection strength requirement is met.

Locker Wall Configuration Components



Item	Description	Item	Description	Item	Description
1	Top	8	Support Leg	15	Seat
2	Bottom	9	Support Start Tube	16	Seat Hinge
3	Start	10	Support Extension	17	Seat Lock Hasp
4	Extension	11	Side Hook	18	Hangbar
5	Side Panel	12	Shelf End Plate	--	----
6	Wall Mount Bracket	13	Back Hook	--	----
7	Adjustable Foot	14	Shelf	--	----

Locker Island Configuration Components



Item	Description	Item	Description	Item	Description
1	Top	8	Shelf End Plate	15	Island Side Panel
2	Bottom	9	Back Hook	16	Island Back Panel
3	Start	10	Shelf	17	Island Base Start
4	Extension	11	Seat	18	Island Base Extension
5	Adjustable Foot Asm.	12	Seat Hinge	--	----
6	Support Leg	13	Seat Lock Hasp	--	----
7	Side Hook	14	Hangbar	--	----

Start, Extension and Base Variations

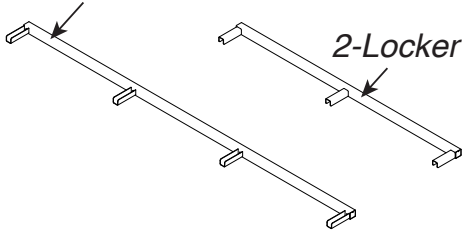
Start, Extension and Base variations are dependant upon the intended locker configuration, see the installation drawings to determine which variation will apply.

NOTICE

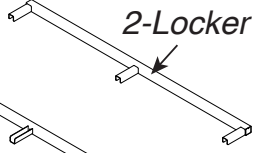
- When a Locker configuration is not divisible by three, always begin with a 2-Locker Start.
- When 30" lockers are used, 1-Starts or 1-Extensions may be required
- 30" Lockers will not have a 3 Start or 3 Extension

Wall & Island Configurations

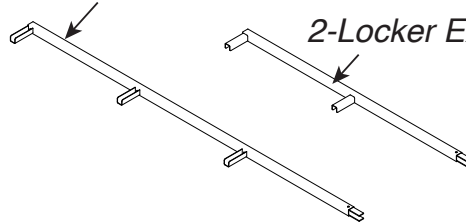
3-Locker Start



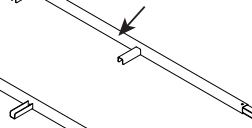
2-Locker Start



3-Locker Extension



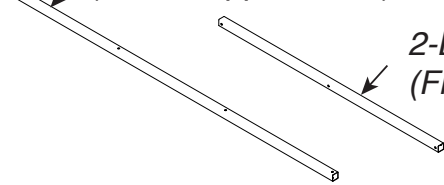
2-Locker Extension



Wall Configurations

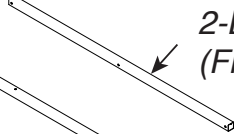
3-Locker Tube

(Front Support Tube)



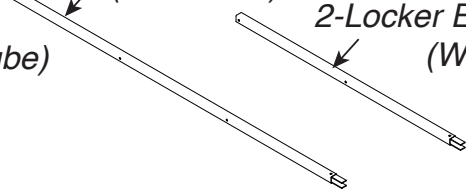
2-Locker Tube

(Front Support Tube)



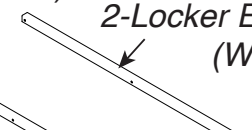
3-Locker Extension

(Wall Front)



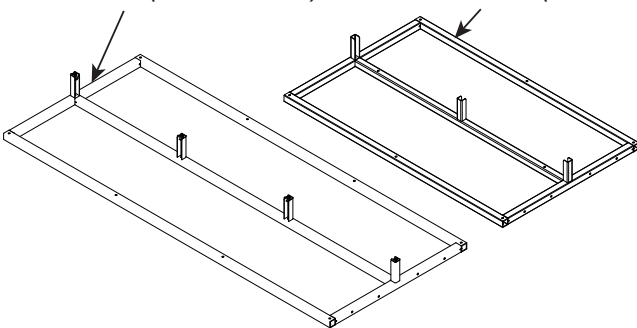
2-Locker Extension

(Wall Front)

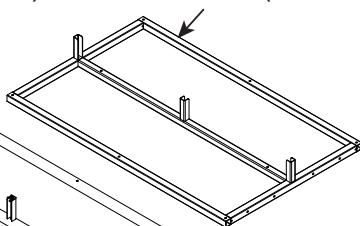


Island Configurations

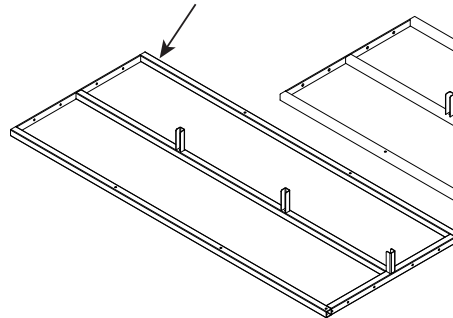
3-Locker (Base Start)



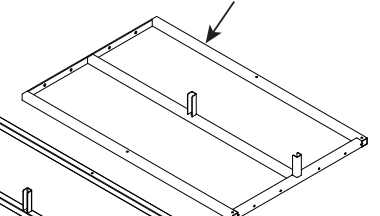
2-Locker (Base Start)



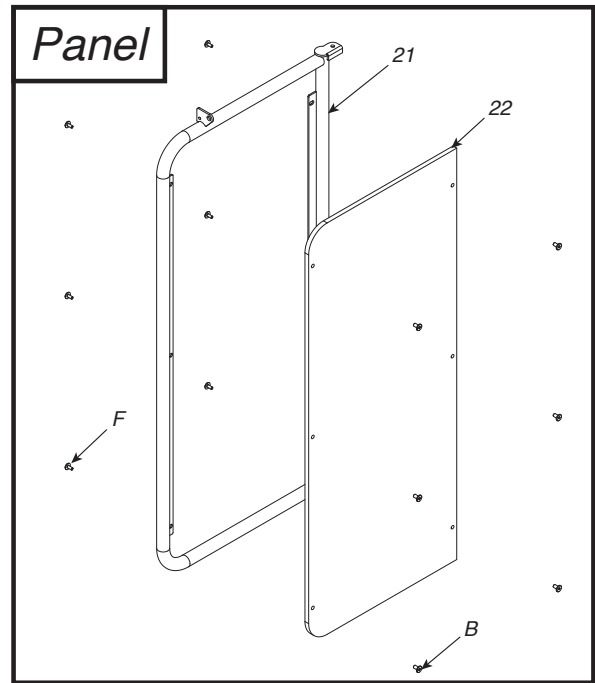
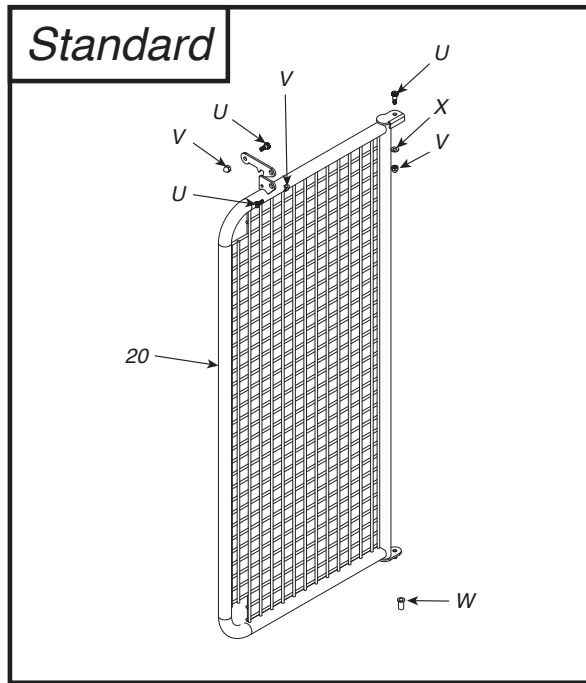
3-Locker (Base Extension)



2-Locker (Base Extension)



Locker Doors (Optional)

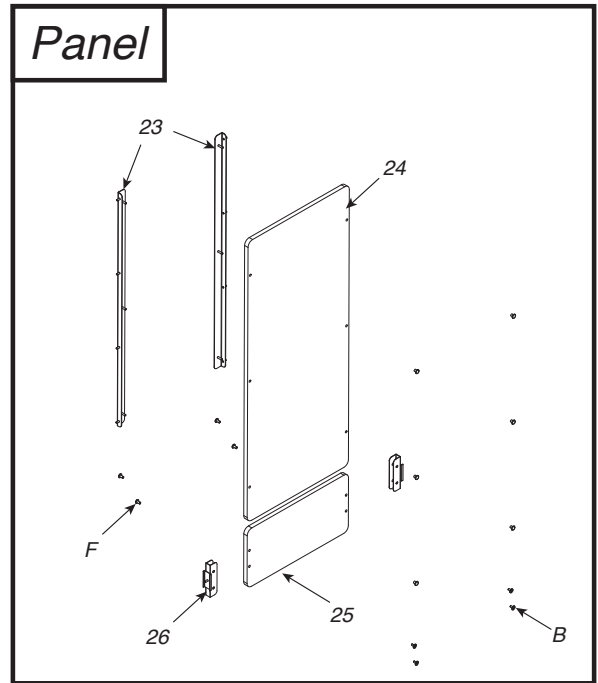
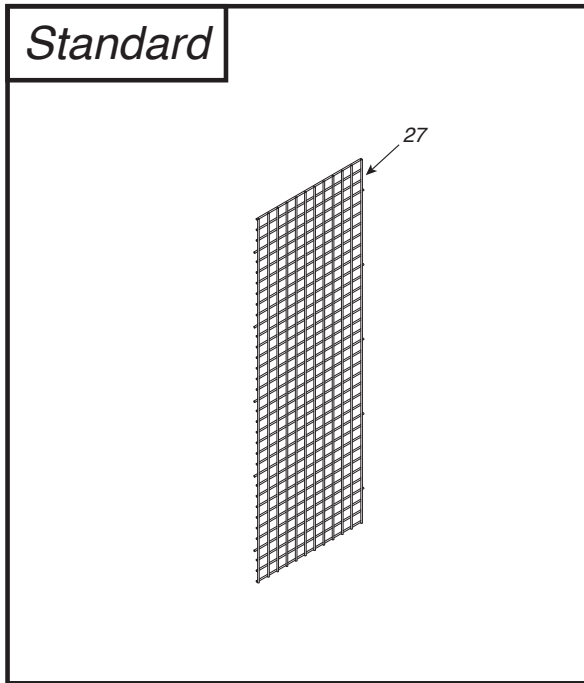


Standard	Description
20	Standard Door
U	Shoulder Bolt 3/8 x 1/2
V	Acorn Nut, 5/16 - 18
W	Brass Bushing 3/8 id x 1/2 od
X	Nylon Washer 3/8 id x .75 od

Panel	Description
21	Door Frame
22	Door Panel
B	Insert Nut, 1/4-20
F	Joint Conn. Bolt, 1/4-20 x .472

* For the Panel option, it includes hardware from the standard door.

Back Panel (Optional)



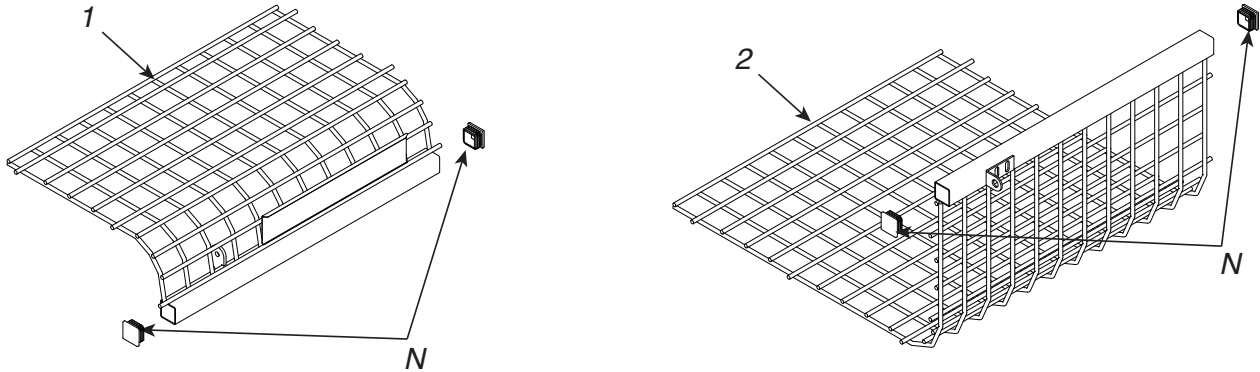
Standard	Description
27	Wire Grid

Panel	Description
23	Panel Angle
24	Upper Panel
25	Bottom Panel
26	Bottom Panel Bracket
B	Insert Nut, 1/4-20
F	Joint Conn. Bolt, 1/4-20 x .472

Pre-Installation Assembly

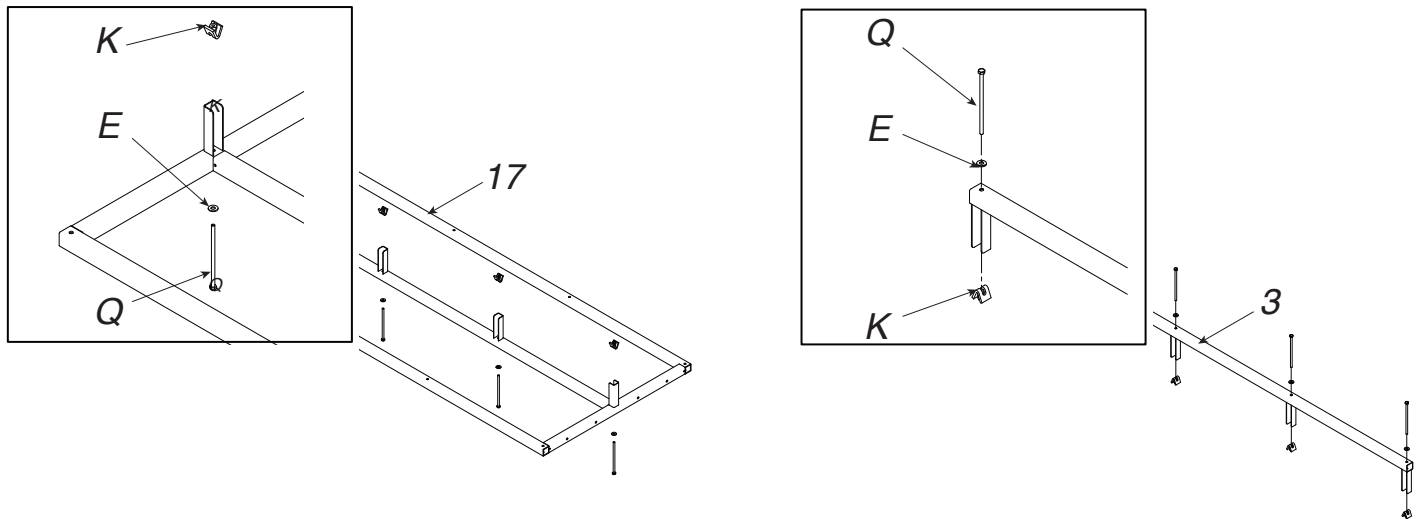
IMPORTANT: Quantities of the components in these instructions will vary with the length and configuration of each bank of lockers.

1. Install 1-1/4 Square x 16 Gauge Plugs (N) into the open ends of all Top (1) and Bottom (2).



2. Assemble all of the Starts (3), Extensions (4), Island Base Starts (17) and Island Base Extensions (18).

Finger tighten a set of one 1/4-20 x 5-1/2" Capscrew (Q), 1/4 Dia x .734 Flat Washer (E) and 1/4-20 Wedge Nut (K) into every Connect Tube of all Starts (3), Extensions (4), Island Base Starts (17) and Island Base Extensions (18).



Wall Configuration Installation

NOTICE

The Lockers can be installed in either wall or island configurations. This procedure is for the **WALL** locker configuration! For installing the island locker configuration, go to page 17.

IMPORTANT: When the lockers are to be flush in a corner, the run needs to start in that corner. The first run of lockers (either two or three individual lockers) are mounted on starter tubes at the end of the row. The run is completed with the remaining sets of lockers mounted on extension tubes. Starting the row with the wrong set of lockers will make it impossible to complete the installation. Refer to the installation drawings.



CAUTION

More than one person is required for this installation. Failure to follow this caution may result in property damage or personal injury.

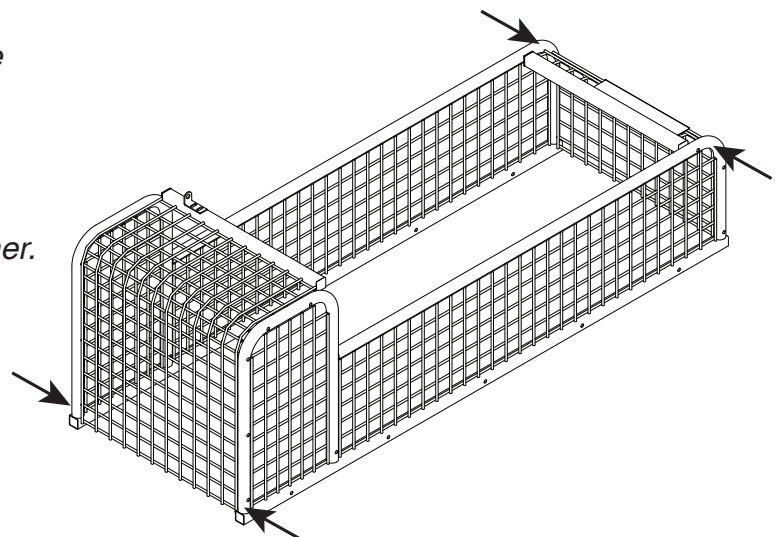
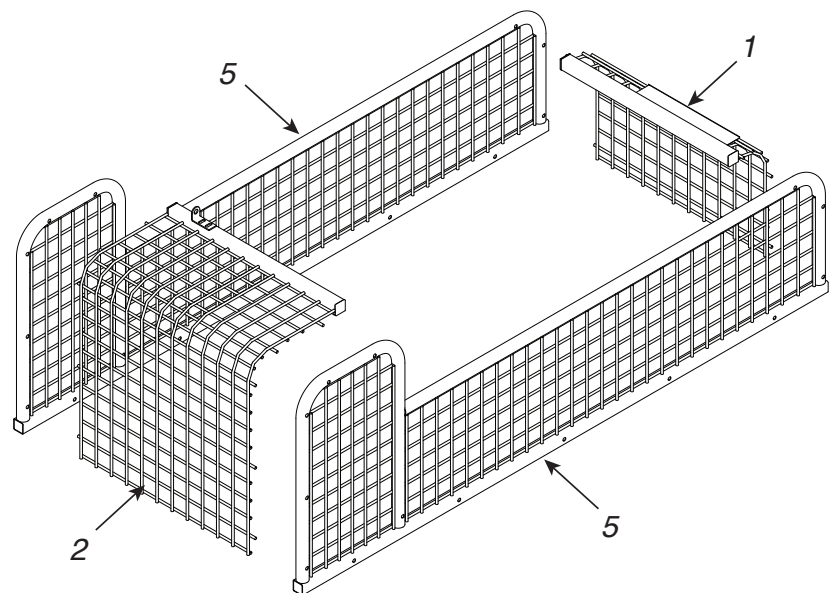
1. Lay all the locker components out according to the installation drawings.

2. Build the first locker by positioning one Top (1) and one Bottom (2) between two Side Panels (5). Align the extended wires of the Top and Bottoms with the matching holes in the Sides.

* If Lockers have doors, the far left Side Panel (5) will be a standard side with no hole for Door Bushing.

* If the Optional Wire Grid Back Panel are being used, install them before the side panels are brought together.

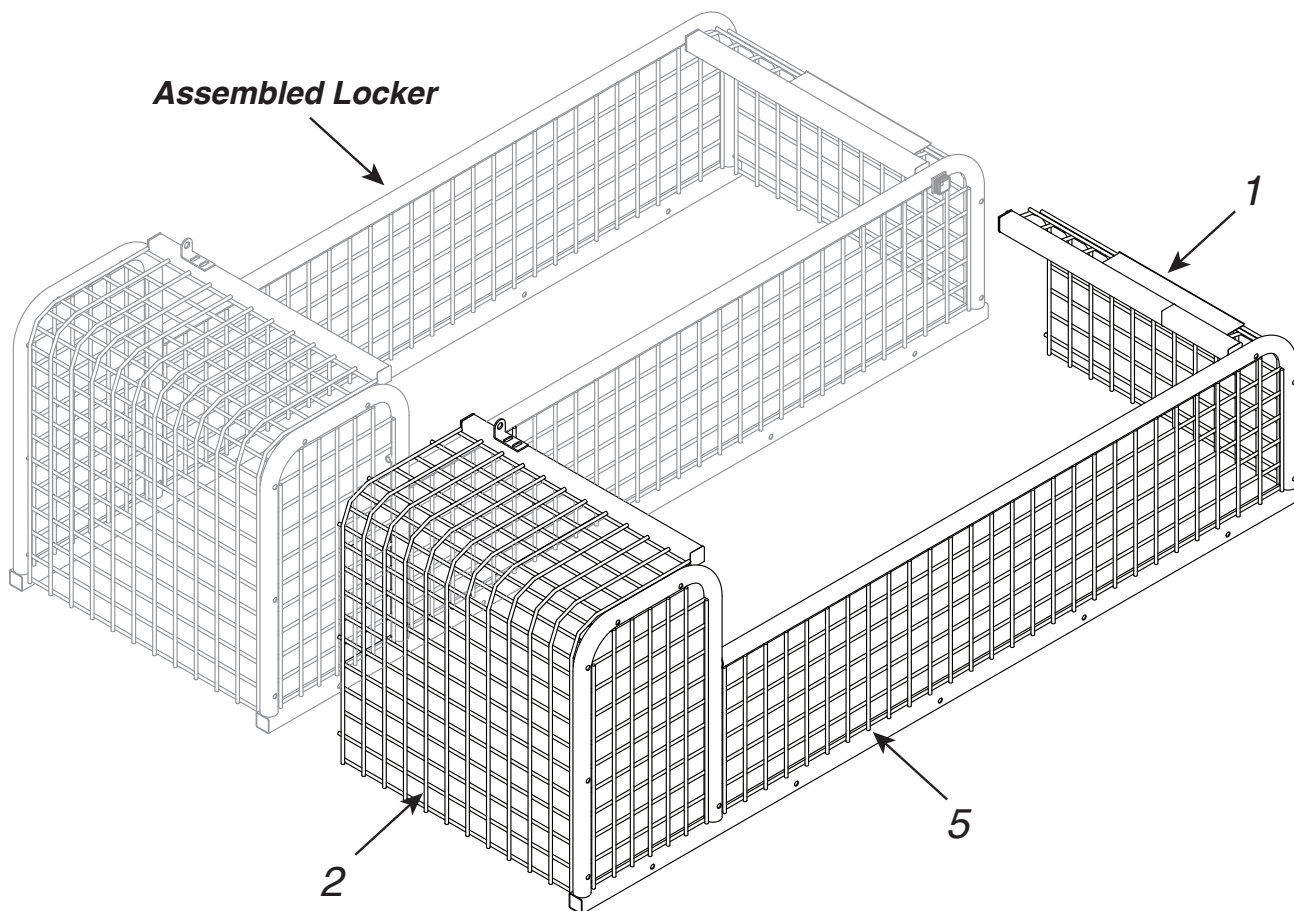
3. Use ratchet clamps to temporarily hold the Top, Bottom and Sides together.



Wall Configuration Installation (continued)

4. Build the remaining lockers for this run off of the just assembled locker depending on the configuration as indicated in the installation drawings.

Repeat steps 2-3 using an additional Top, Bottom and Sides to build the next locker off of the Side from the already assembled locker.

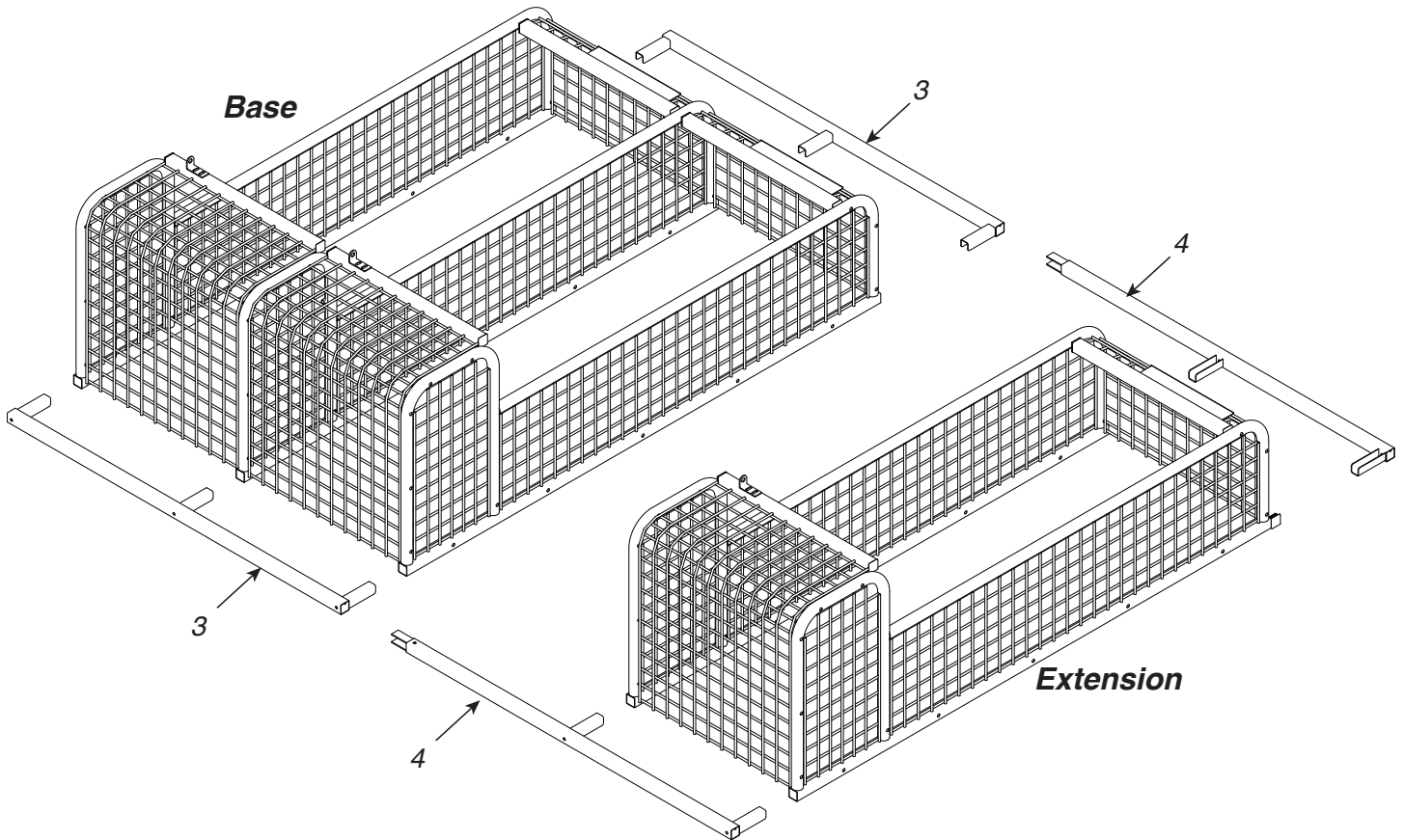


IMPORTANT: Only assemble the lockers needed to fit on each individual Start or Extension. Do not assemble an entire run of lockers, as it could become too heavy to move safely and without damage.

Wall Configuration Installation (continued)

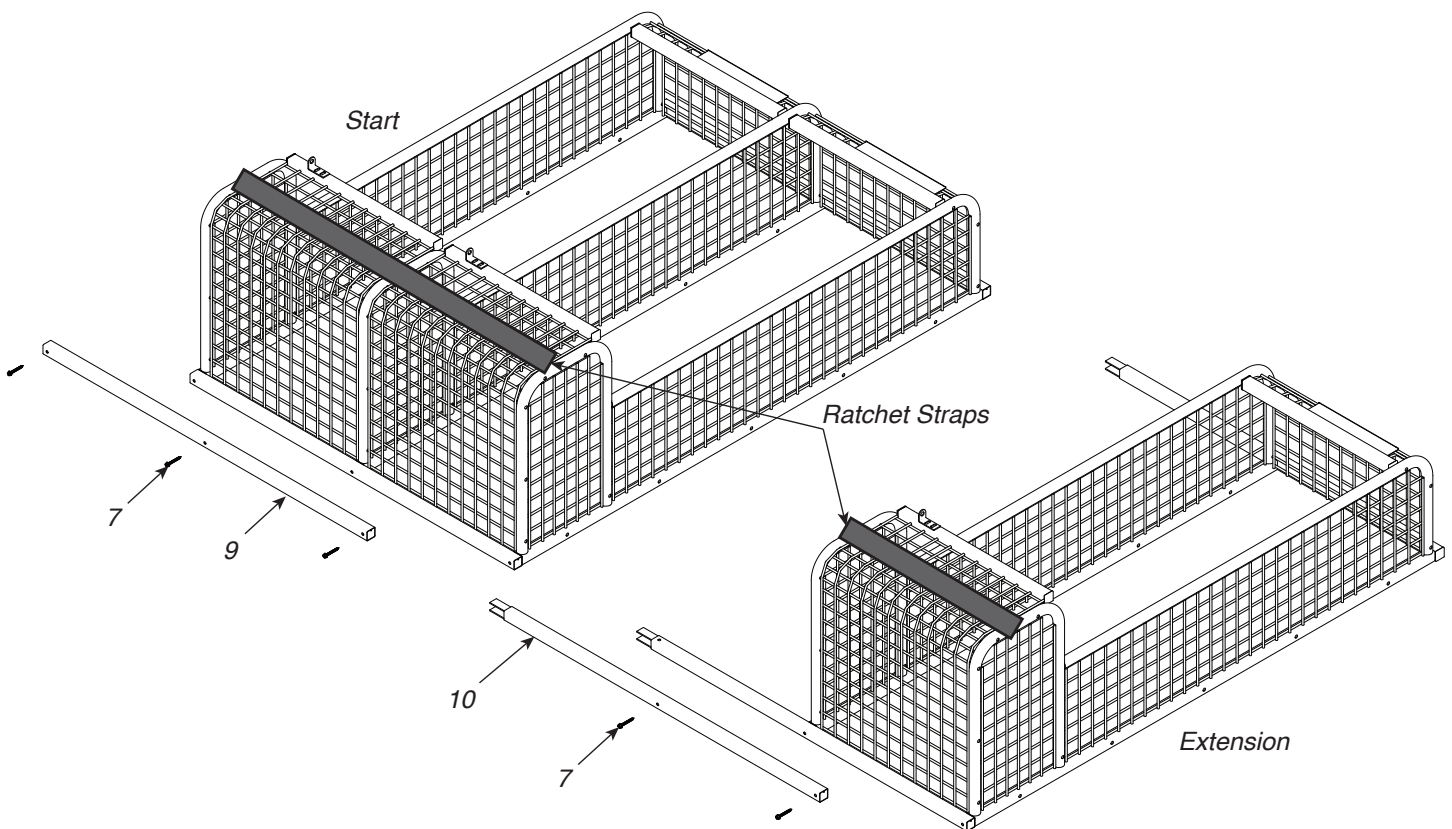
5. Insert the Start (3) or Extension (4).
Connect Tubes into the receptacle at the top and bottom of each Side.
Tap the Starts / Extension until they are completely engaged with all of the Sides.
6. Tighten all of the 1/4-20 x 5-1/2 Capscrews until they are snug.

IMPORTANT: DO NOT over tighten the capscrews!



Wall Configuration Installation (continued)

7. Attach the Support Start Tube (9) or Support Extension (10) to the bottom front of the lockers using #14 x 2" Sheet Metal Screws (M).
8. Secure the lockers together using a ratchet strap across the Bottom.
9. Assemble all of the remaining banks of extension lockers by repeating steps 2-8.



Wall Configuration Installation (continued)

10. Attach Wall Mount Brackets (6) to the wall to support the bottom of the lockers:
 - a) See the installation drawings for Wall Mount Bracket locations.
 - b) Measure up on the back wall 4" (10.16 cm) from the floor and snap a level line as a guide for the Wall Mount Brackets.
 - c) Measure and mark the horizontal location of each Wall Mount Bracket. The Wall Mount Brackets at the end of each bank must be placed 2" (5 cm) in from the outside edge of the Sides to keep from interfering with the Start and Extensions.
 - d) Attach the Wall Mount Brackets to the wall using the appropriate hardware and method described in the "Hardware - Not Supplied" section.
11. Leave the Mount Brackets loose enough to slip the Lockers in, yet tight enough for support.

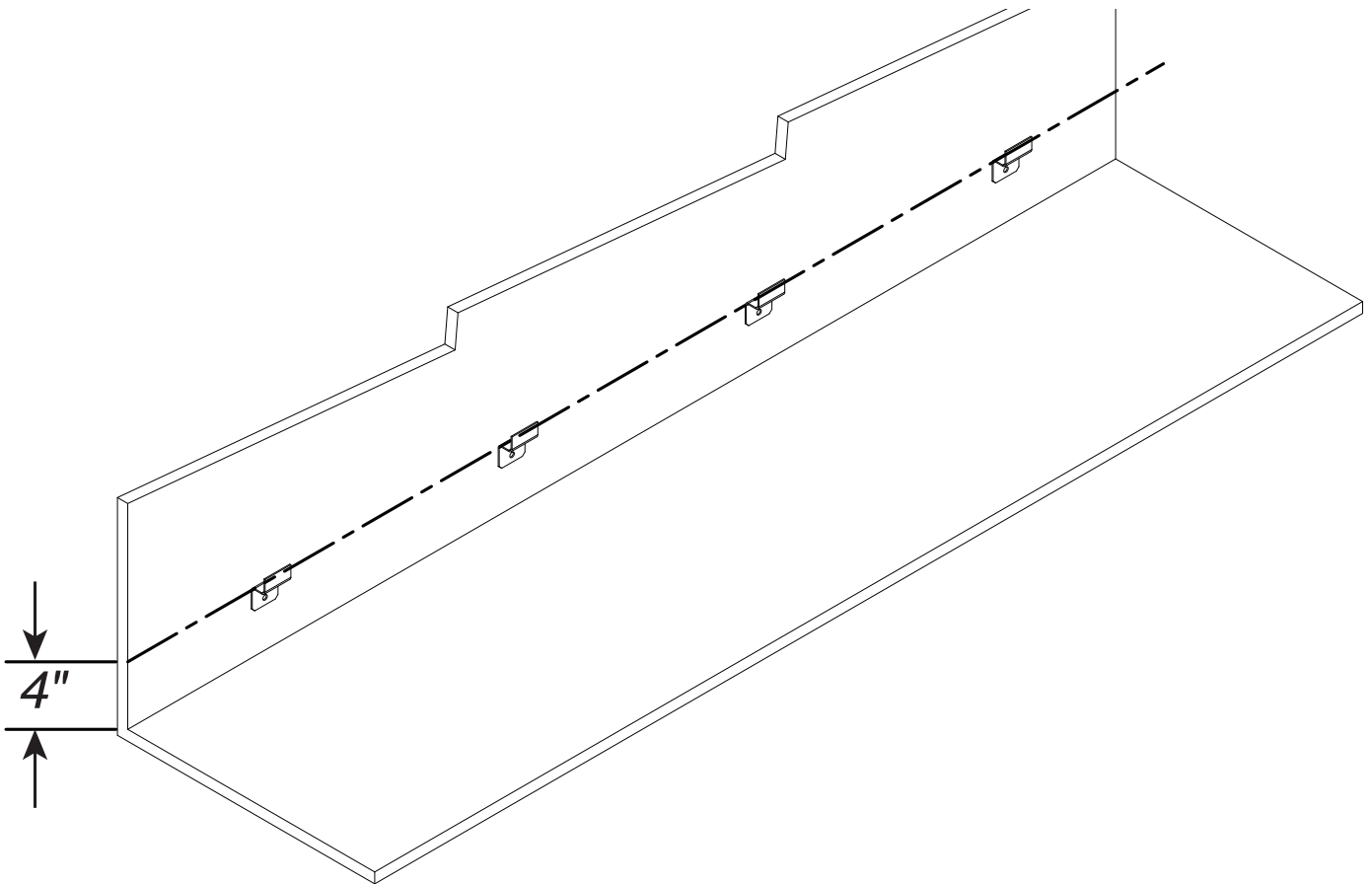
NOTICE

The orientation of the Wall Mount Brackets must match the detail view shown below



WARNING

Inferior or improperly installed hardware could cause the lockers to collapse, resulting in property damage, serious personal injury, or death.



Wall Configuration Installation (continued)

11. With the help of an assistant, tip the bank of lockers upright and lift them onto the Wall Brackets. Lean the lockers slightly forward to tip into the brackets.



CAUTION

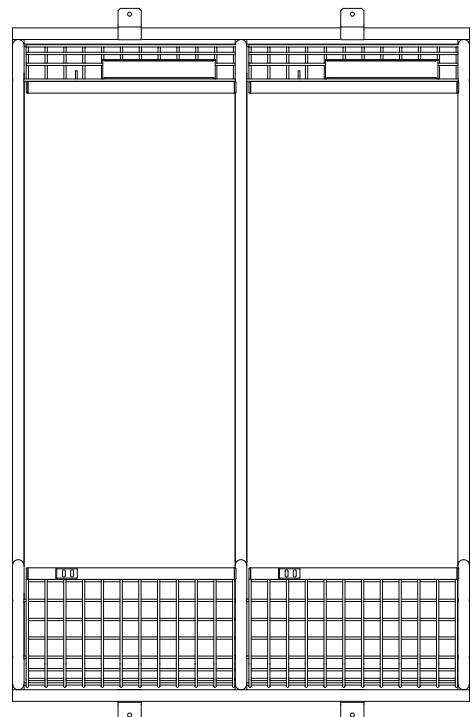
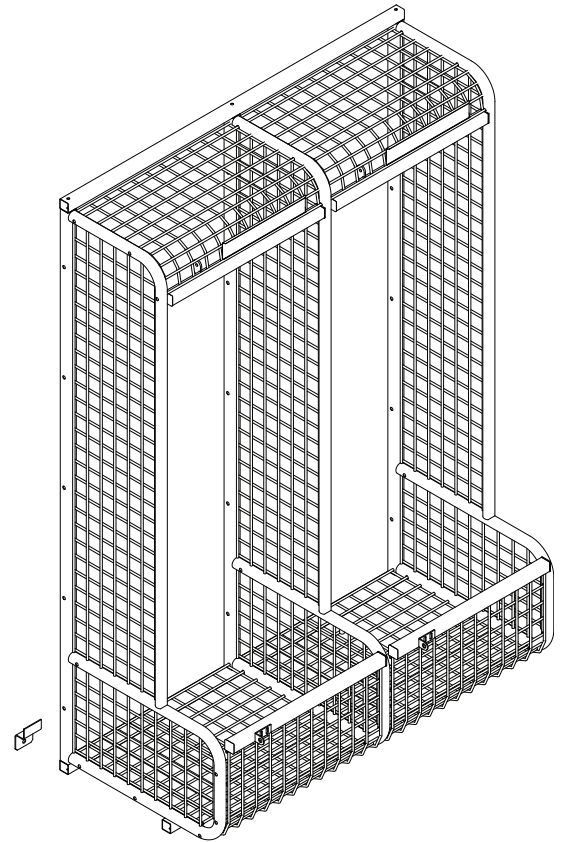
More than one person is required for this installation. Failure to follow this caution may result in property damage or personal injury.

12. Push the top of the lockers to be flush with the back wall and have people hold them in place.
13. Attach Wall Mount Brackets (6) to the wall to support the top of the lockers:
- Align the position of the top Wall Mount Brackets with the position of the already attached bottom Wall Mount Brackets.
 - Attach the Wall Mount Brackets to the wall using the appropriate hardware and method described in the "Hardware - Not Supplied" section.
 - Support the lower Wall Mount Brackets.

NOTICE

The orientation of the Wall Mount Brackets must match the detail view.

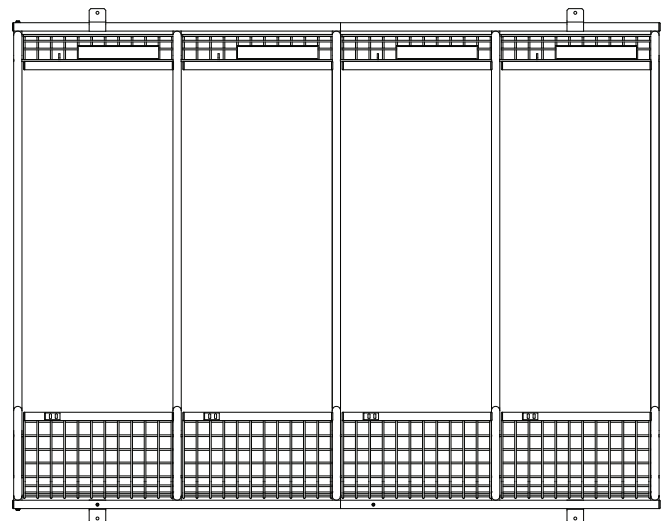
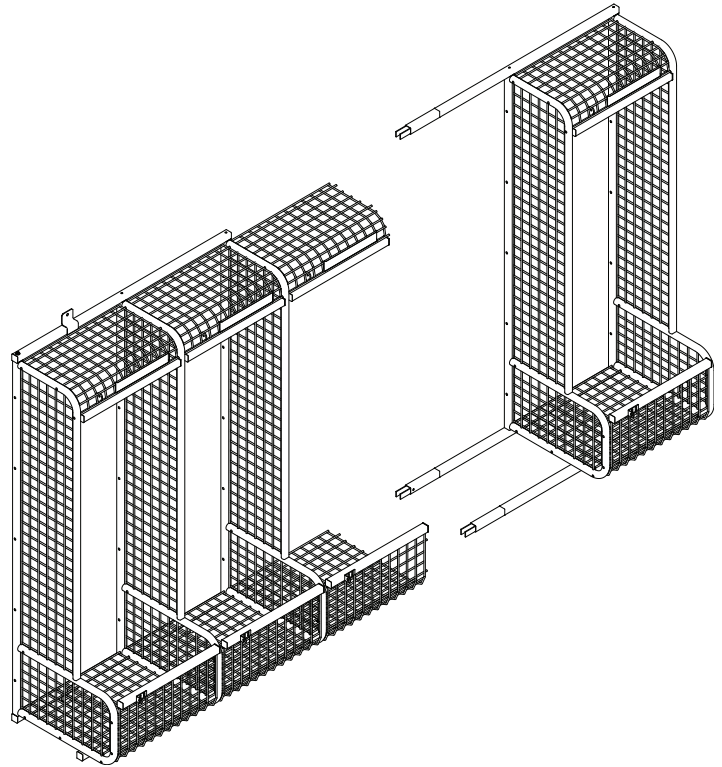
14. The ratchet strap can now be removed from the bottom of the locker.



Wall Configuration Installation (continued)

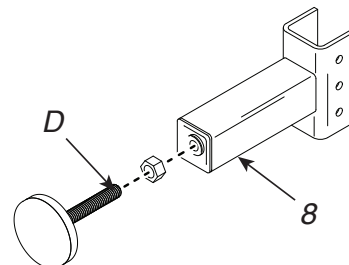
15. Add any additional extension banks to the end of the start lockers attached to the wall:

- a) Position one Top (1) and one Bottom (2) on the end Side Panel (5) of the attached locker bank. Align the extended wires of the Top and Bottom with the matching holes in the Side.
- b) Use Ratchet Clamps to temporarily hold the Top and Bottom in place.
- c) Using more than one person, tip the bank of lockers upright and lift them onto the Wall Mount Brackets. Lean the lockers slightly forward to tip into the brackets.
- d) Push the top of the lockers to be flush with the back wall and slide the Extensions to fit into the ends of the Starts and Tubes.
- e) Align the extended wires of the Top and Bottom with the matching holes in the Extension Side.



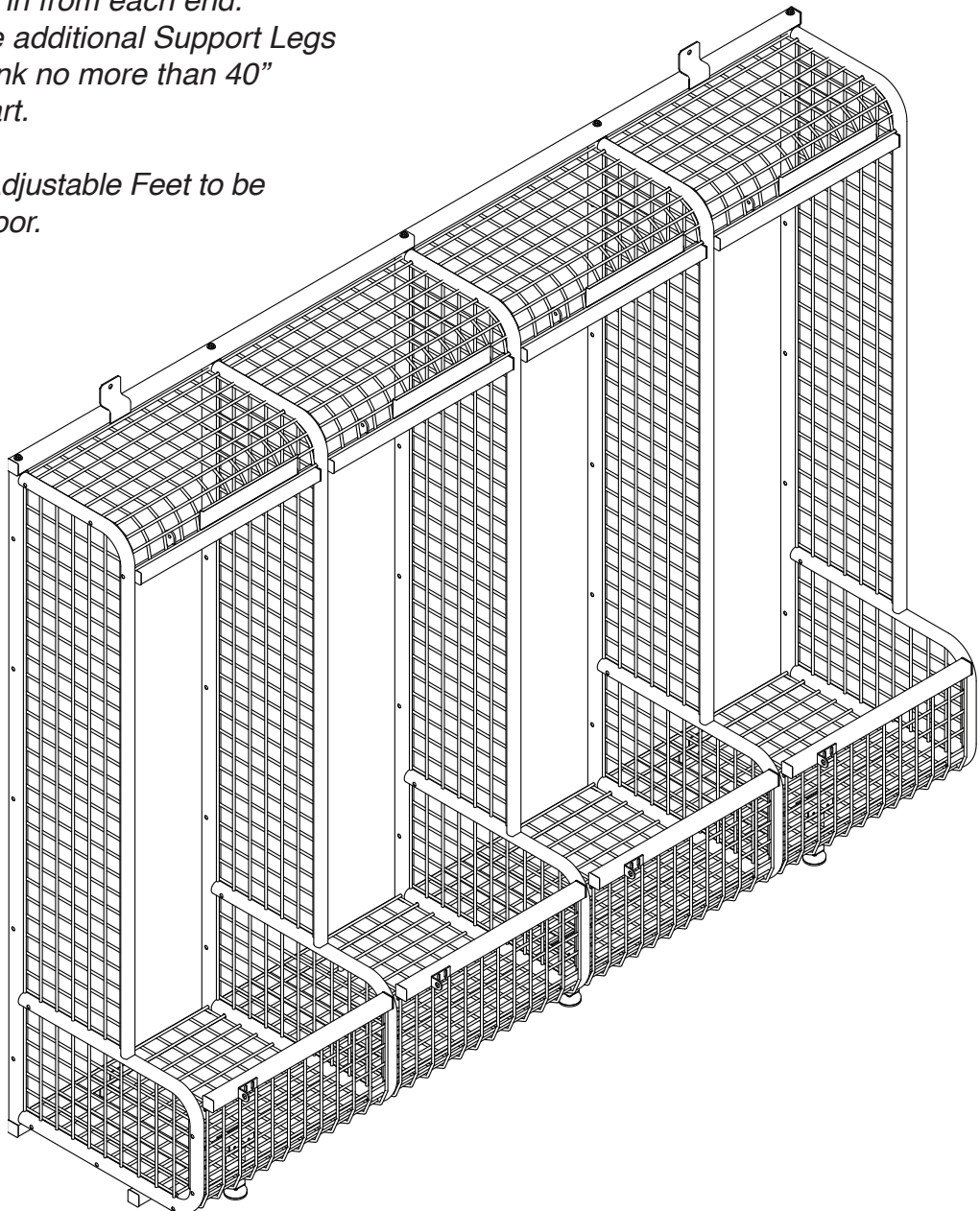
16. Attach the top Wall Mount Brackets and remove the ratchet strap as described in steps 13-14.

17. Screw a Leveler / Guide (D) into each of the Support Legs (8).



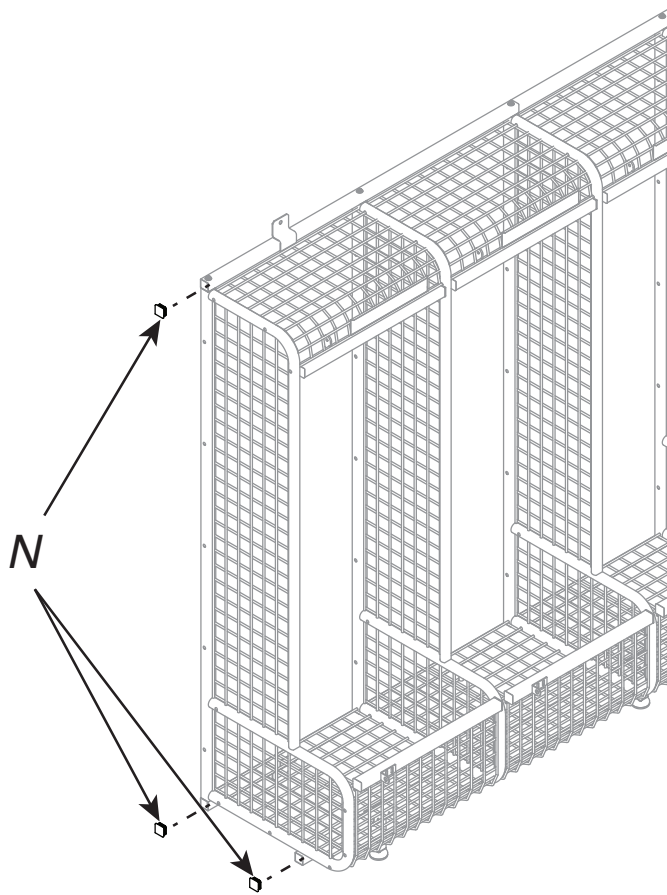
Wall Configuration Installation (continued)

18. Attach the Top Start Connector to the Extension and the Bottom Front Support Start Tube to the Wall Front Extension Connector using one 1/4-14 x 3/4" Self-Tapping Screw (G). Position the Screw 1" (2.5 cm) from the edge of the Start Connector.
19. Attach the Support Legs to the lockers:
 - a) Outside Support Legs should be positioned 6" in from each end. Evenly space additional Support Legs under the bank no more than 40" (102 cm) apart.
 - b) Uncrew the Adjustable Feet to be against the floor.



Wall Configuration Installation (continued)

20. Install 1-1/4 Square x 16 Gauge Plugs (N) into the open ends of the Starts, Extensions, Support Start Tubes and Extensions.
21. Install additional Island Configuration Lockers by following the steps on the following pages or **skip ahead to “Final Assembly” on page 28.**



Island Configuration Installation

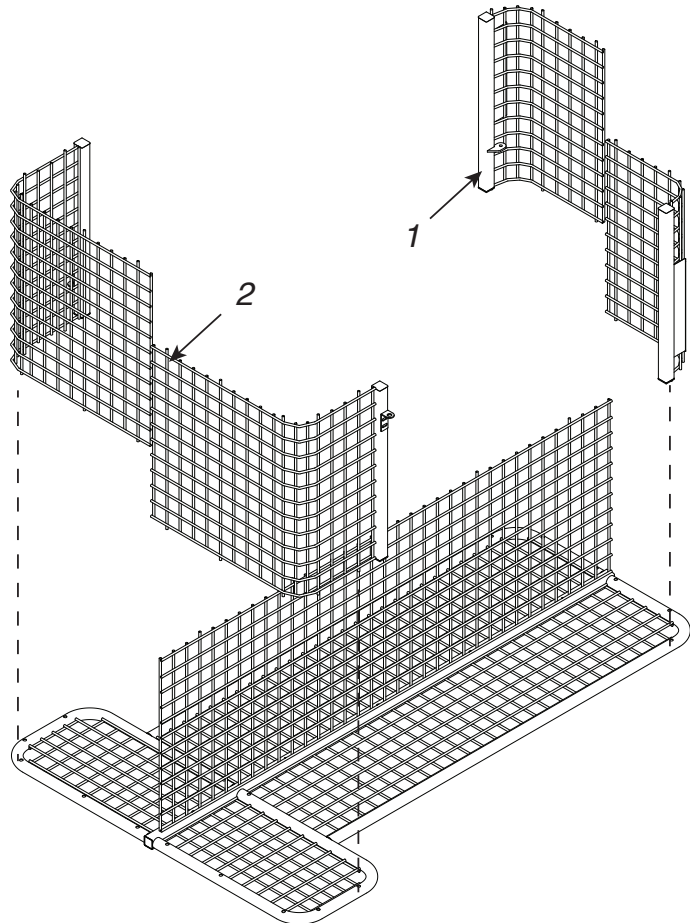
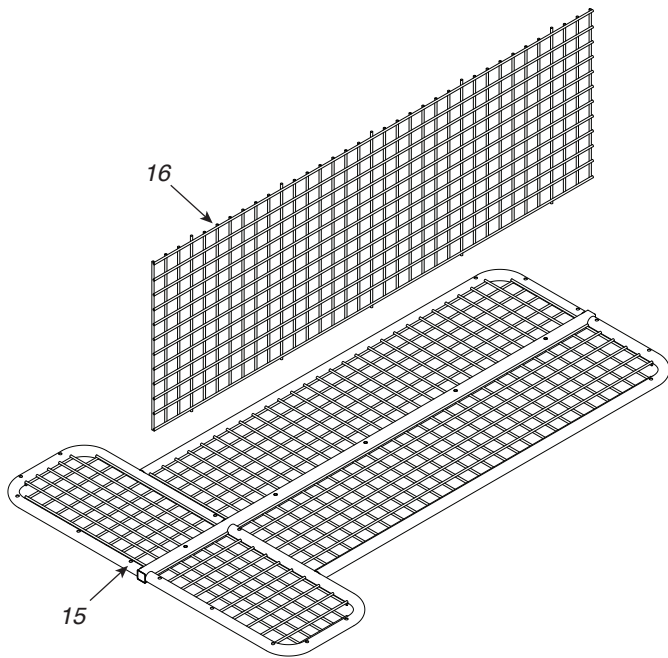
NOTICE

The Lockers can be installed in either wall or island configurations.
This procedure is for the **ISLAND** locker configuration!
For installing the wall locker configuration, go to page 8.

1. Lay all of the locker components out according to the installation drawings.
2. Lay one Side Panel (15) flat and fit one Back Panel (16) over the center weldment.
Align the extended wires of the Back Panel with the matching holes in the Side Panel.

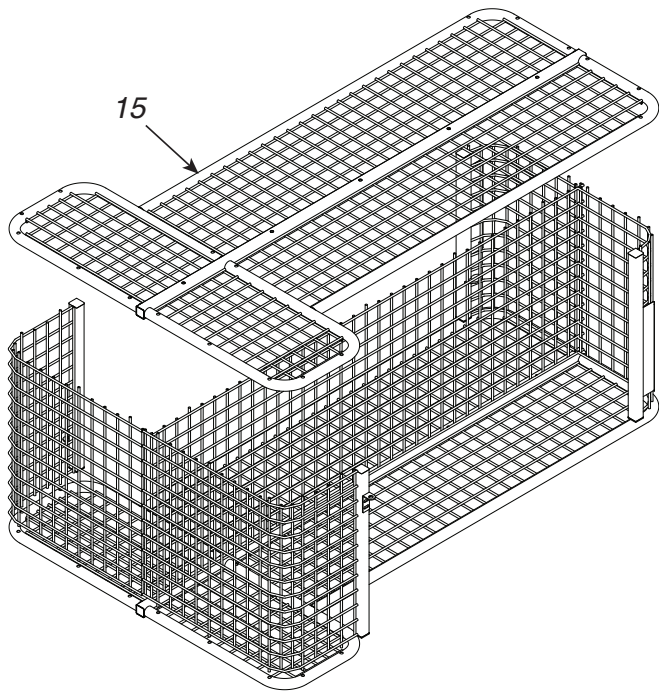
- * If lockers have doors, start with side, double w/ door-right.
- * If lockers have back panels, reference pg 8 for panel assembly.

3. Build the first locker by positioning two Top (1) and two Bottom (2) on both sides of the Back Panel.
Align the extended wires of the Top and Bottom with the matching holes in the Side.

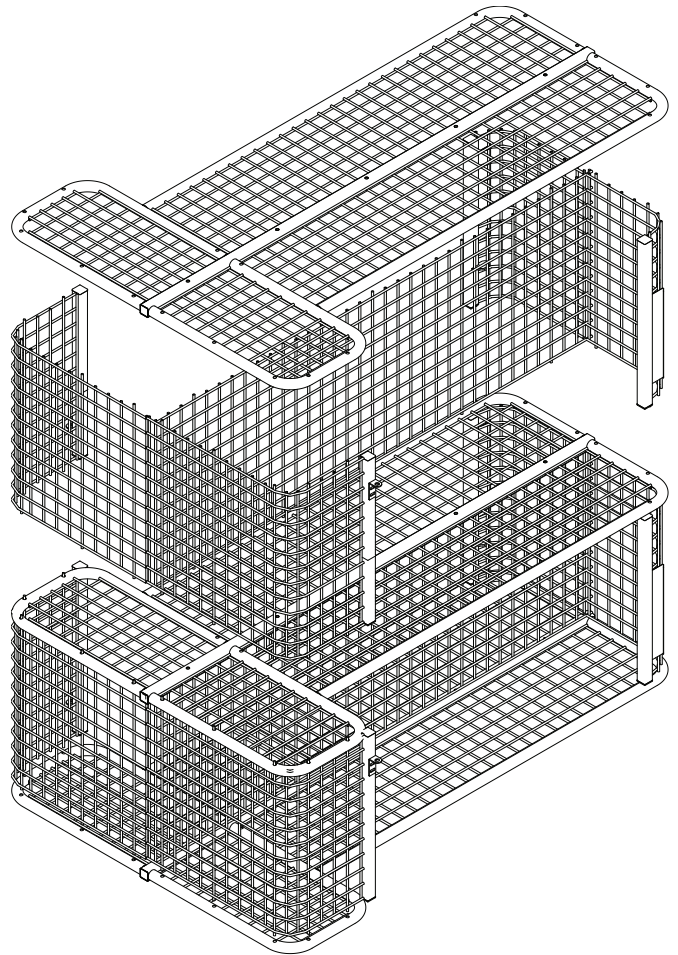


Island Configuration Installation (continued)

4. Use ratchet clamps to temporarily hold the Top, Bottom and Back together.
5. Place another Side Panel (15) onto the Top, Bottom and Back Panel.
Align the holes in the Side with the extended wires of the Top, Bottom and Back.
- * If lockers have doors, use side, double w/ door, middle.
6. Build the remaining lockers for this bank off of the just assembled locker depending on the configuration as indicated in the installation drawings.
Repeat steps 2-5 using additional Top, Bottom and Back Panel to build the next locker off of the Side Pan.
- * If locker has doors, the last side panel will be side, double w/ door, left.



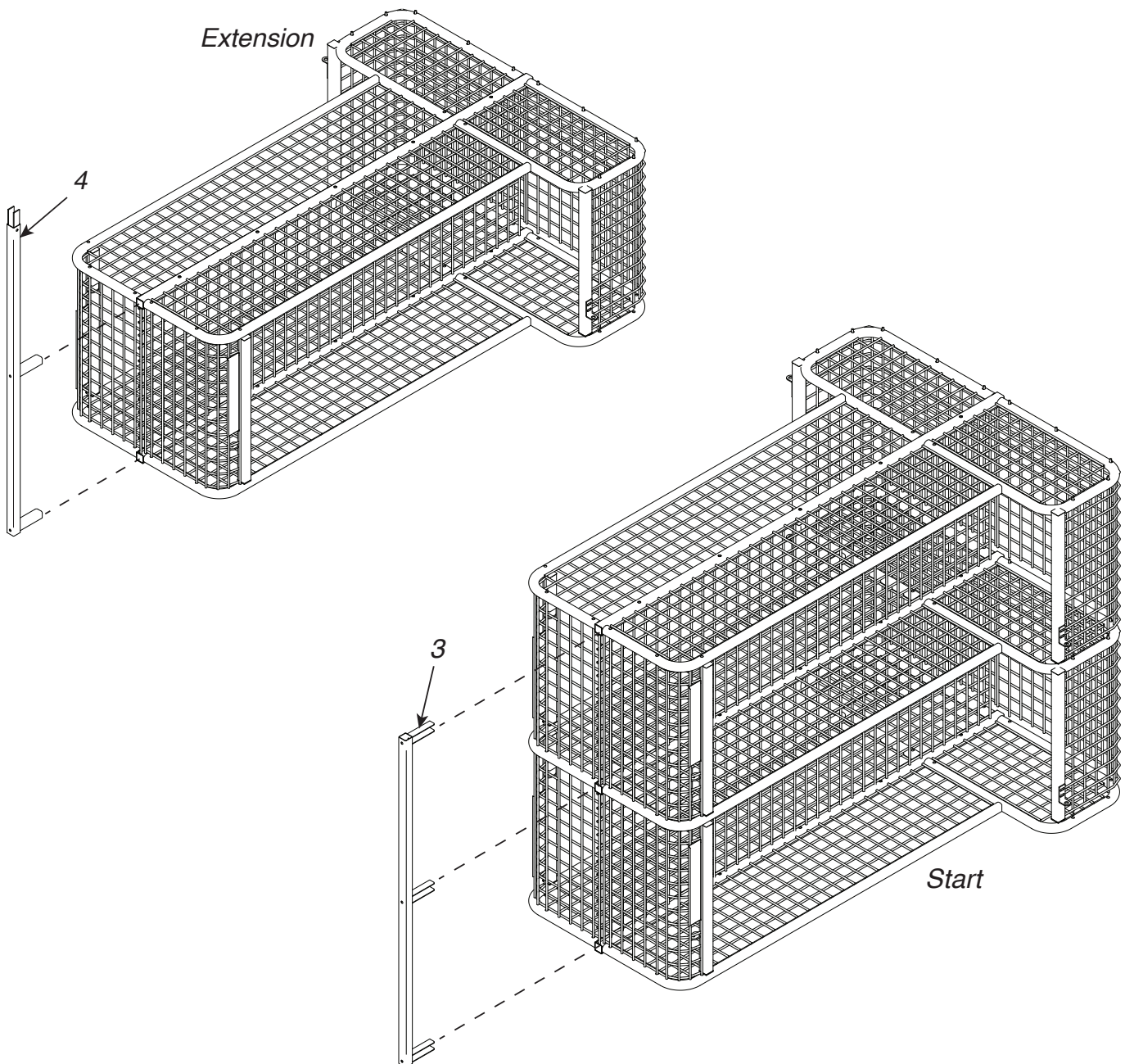
IMPORTANT: Only assemble the lockers needed to fit on each individual Start or Extension Base Do not assemble an entire bank of lockers, as it could become too heavy to move safely and without damage.



Island Configuration Installation (continued)

7. Insert the Start (3) or Extension (4) into the receptacle at the top of each Side. Tap them until they are completely engaged with all of the Sides.
8. Tighten all of the 1/4-20 x 5-1/2 Capscrews until they are snug.

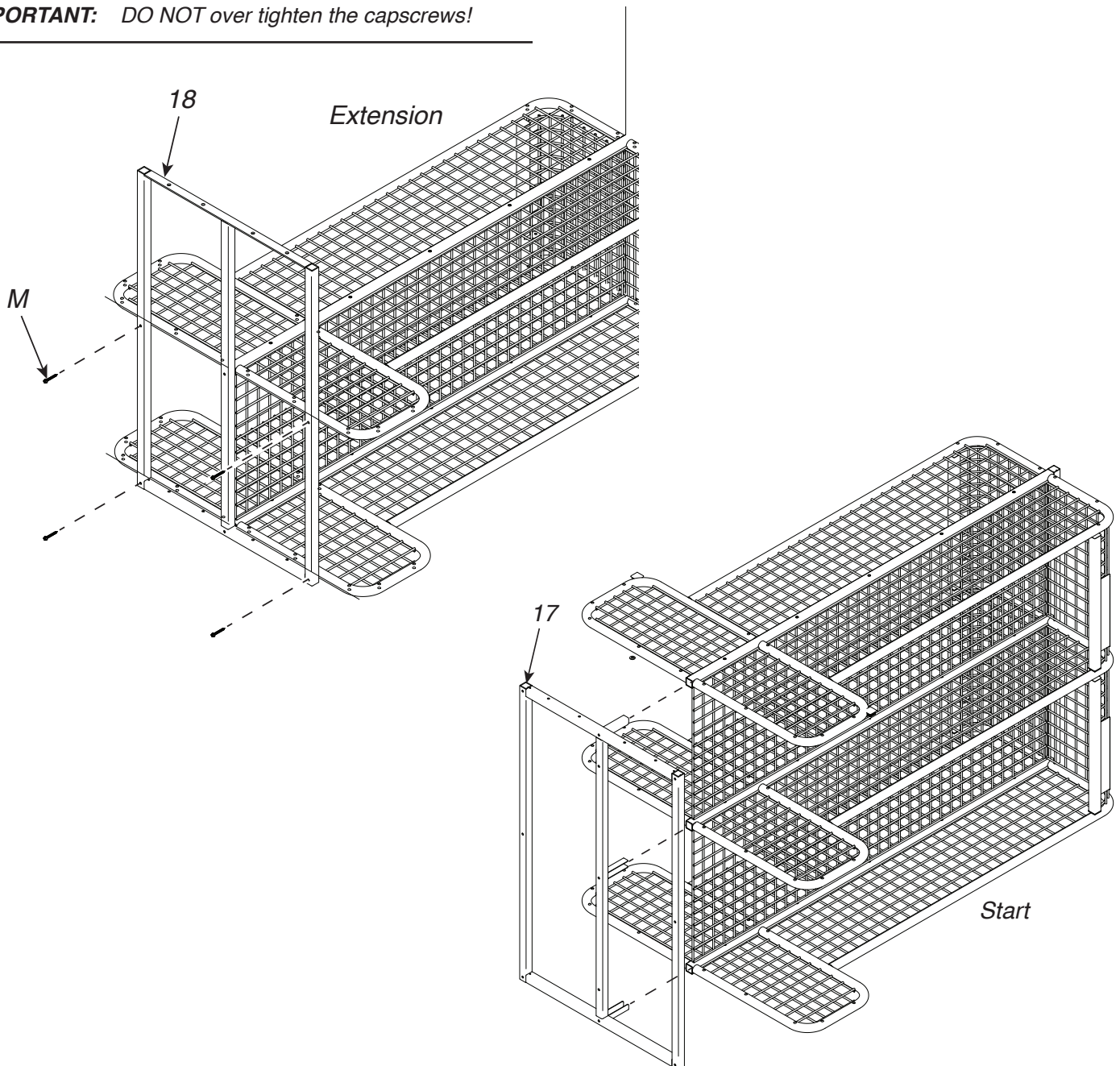
IMPORTANT: DO NOT over tighten the capscrews!



Island Configuration Installation (continued)

9. Insert the Base Start (17) or Base Extension (18) Connect Tubes into the receptacle at the bottom of each Side. Tap them until they are completely engaged with all of the Side.
10. Attach the Base to the Side using Sheet Metal Screws (M) in the front and back.
11. Tighten all of the 1/4-20 x 5-1/2 Capscrews until they are snug.

IMPORTANT: DO NOT over tighten the capscrews!

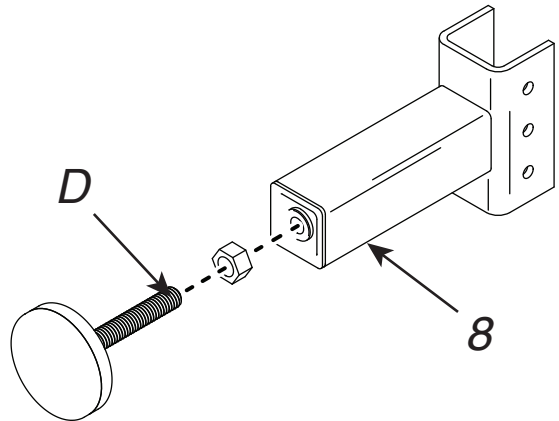


Island Configuration Installation (continued)

12. Screw a Leveler / Guide (D) into each of the Support Legs (8).

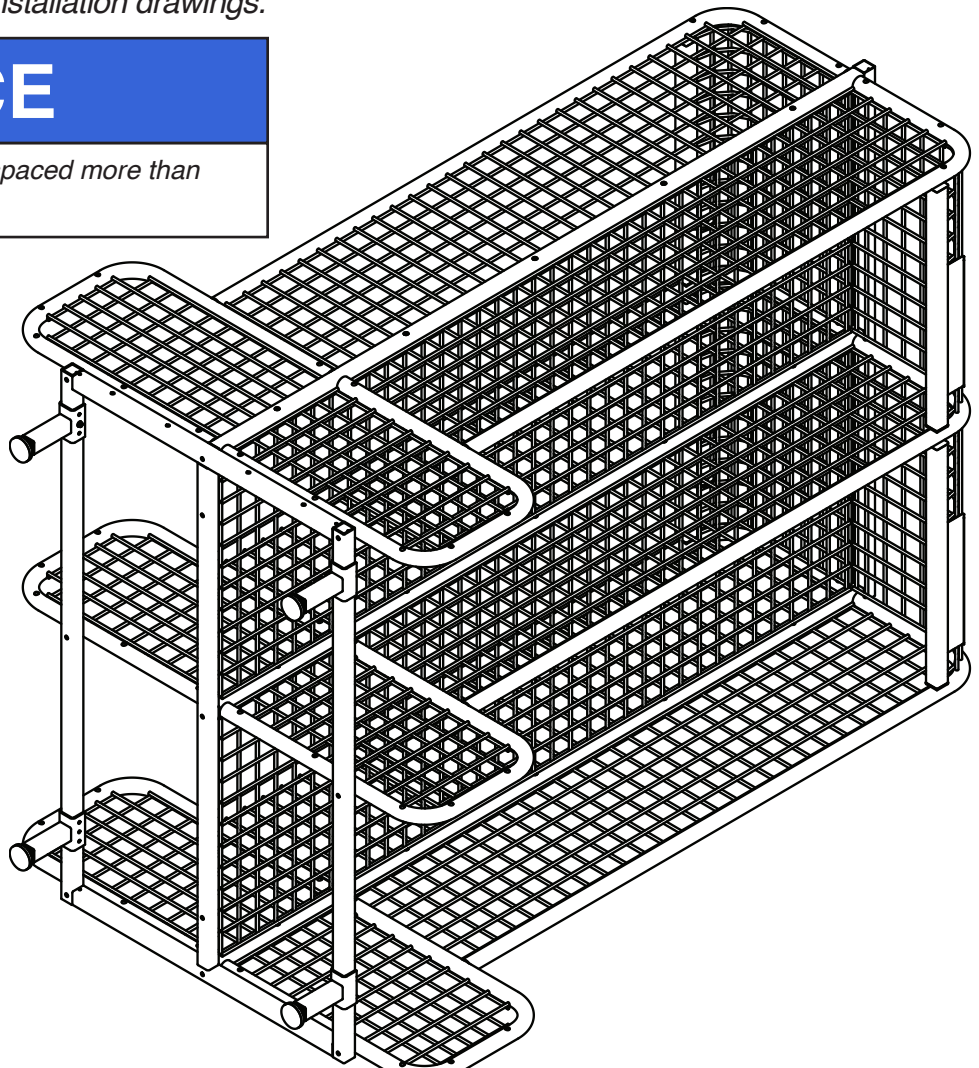
13. Attach the Support Legs to the lockers:

- a) With the pilot hole tab facing out from the lockers, position four Support Legs to be 6" in from the outside ends and evenly spaced no more than 40".
- b) Attach the top of the Support Legs to the Base using 1/4-14 x 3/4" Self-Tapping Screws (7).
- c) Evenly space and attach additional Support Legs under the bank according to the installation drawings.



NOTICE

The Support Legs should not be spaced more than 40" (102 cm) apart.



Island Configuration Installation (continued)

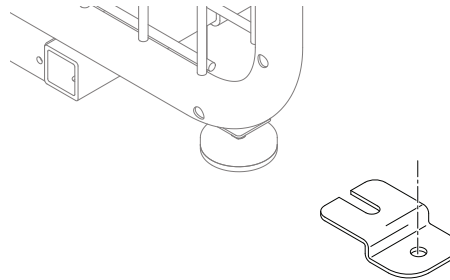
14. Using more than one person, lift the bank of lockers upright and onto the installation location.
Be careful not to apply too much sideways force on the support legs.



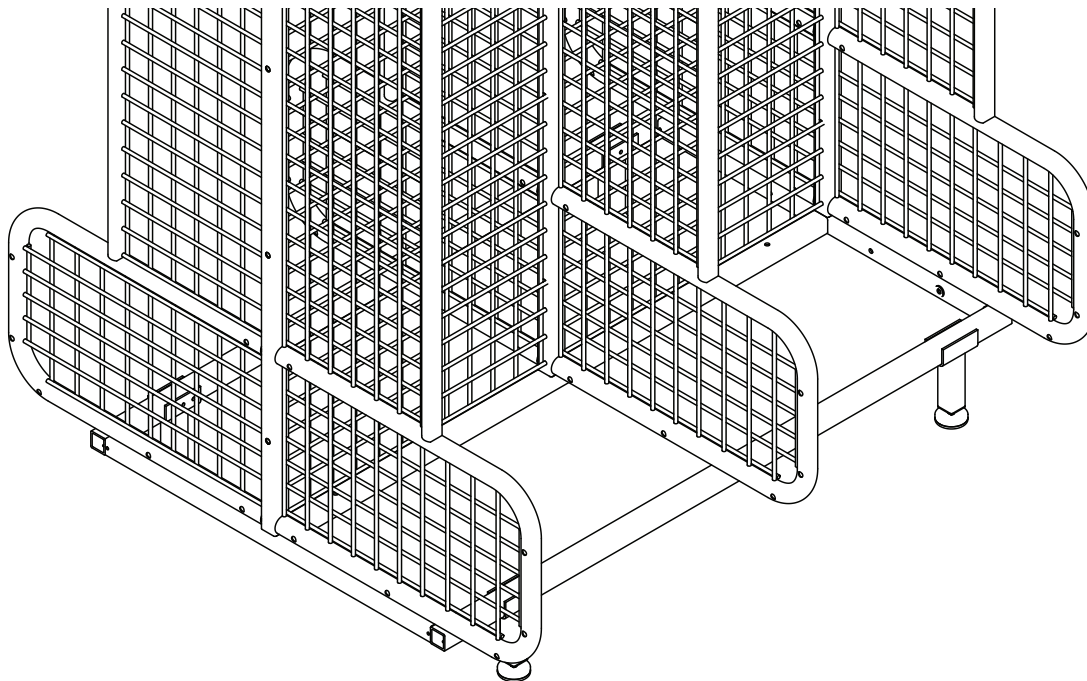
CAUTION

More than one person is required for this installation. Failure to follow this caution may result in property damage or personal injury.

15. Assemble all of the remaining banks of extension lockers by repeating steps 2-14.
16. Attach the Support Legs of the start bank of lockers to the floor:
- With the locker in its installation location, unscrew the Adjustable Feet to level the lockers and set the height from the floor.
 - Move the locker to allow access to the marked locations.
 - Place Floor-to-foot clamp in position and mark anchor hole.



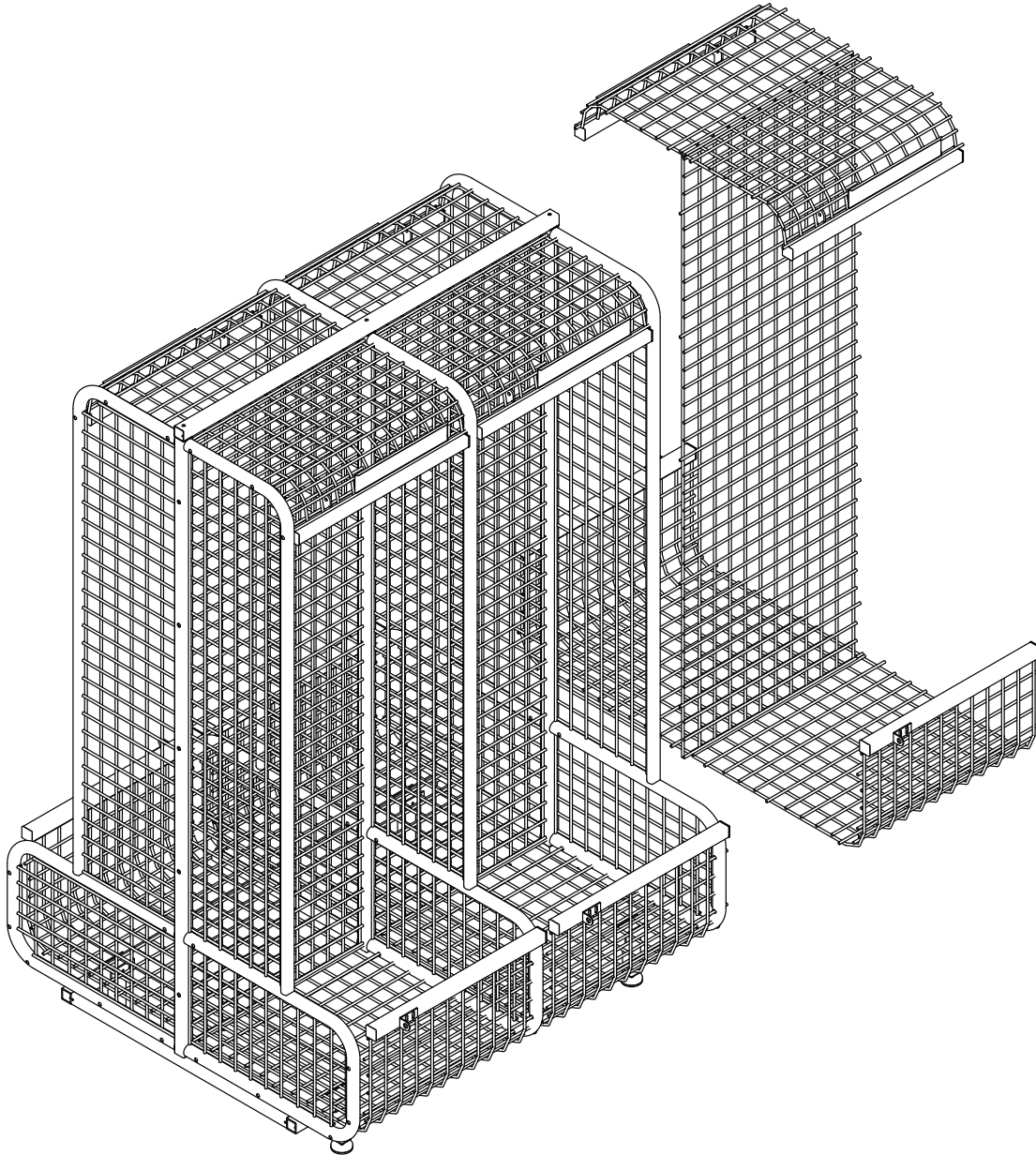
- Drill pilot holes into the marked floor locations.
- Secure each Floor-to-Foot Clamp into the floor pilot holes using the appropriate hardware and method described in the "Hardware - Not Supplied" section.



Island Configuration Installation (continued)

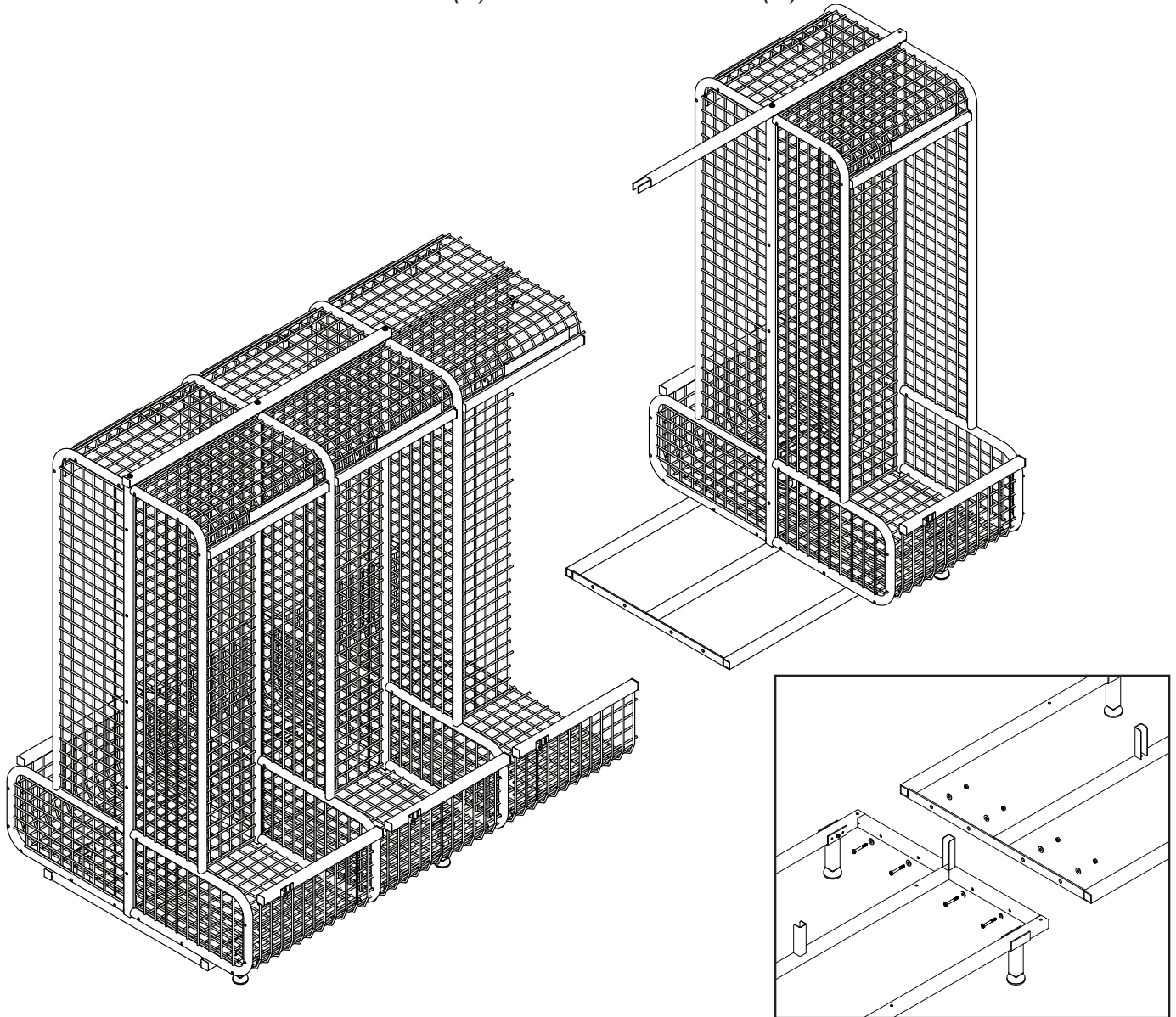
17. Add any additional extension banks to the end of the start lockers attached to the wall:

- a) Position two Top (1), two Bottom (2) and one Back Panel (16) on the end of the Side Panel (15) of the attached locker bank. Align the extended wires with the matching holes in the Side Panel.
- b) Use Ratchet Clamps to temporarily hold them in place.



Island Configuration Installation (continued)

- a) Using more than one person, position the bank of extension lockers to align flush with the start lockers.
- b) Align the extended wires of the Top, Bottom, and Back Panel with the matching holes in the Extension Side Panel.
- c) Connect the Base Extension to the Base Start using four 1/4-20 x 2" Capscrews (S), 1/4 Dia x .734 Flat Washers (E) and 1/4-20 Lock Nuts (R).

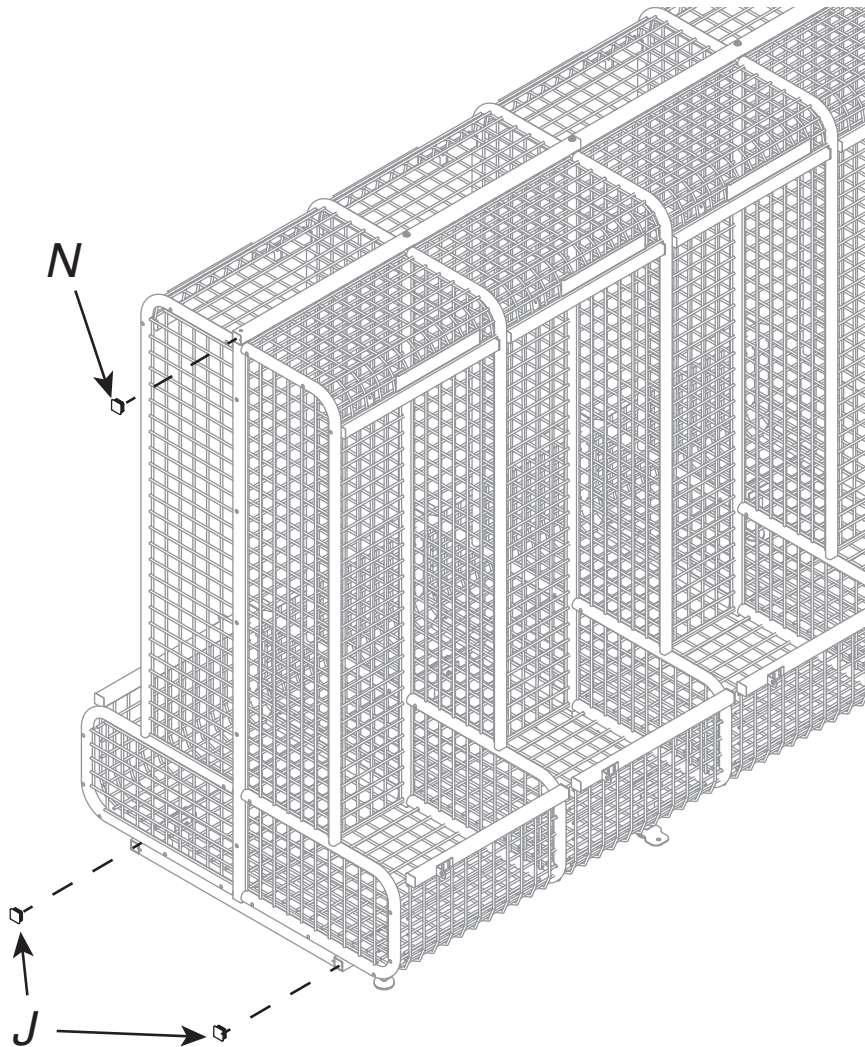


18. Attach the Start Base to the Extension Base using one 1/4-14 x 3/4" Self-Tapping Screw (7). Position the Screw 1" (2.5 cm) from the edge of the Start Connector.

19. Attach the Support Legs of the expansion bank of lockers to the floor. Use the same procedure as described for the start bank in step 16.

Island Configuration Installation (continued)

20. *Install 1-1/4 Square x 1 1/4"-16 Gauge Plugs (N) into the open ends of the Starts and Extensions.*
21. *Install 1-1/4 Square x 1 1/4"-11 Gauge Plugs (J) into the open ends of the Base Starts and Base Extensions.*



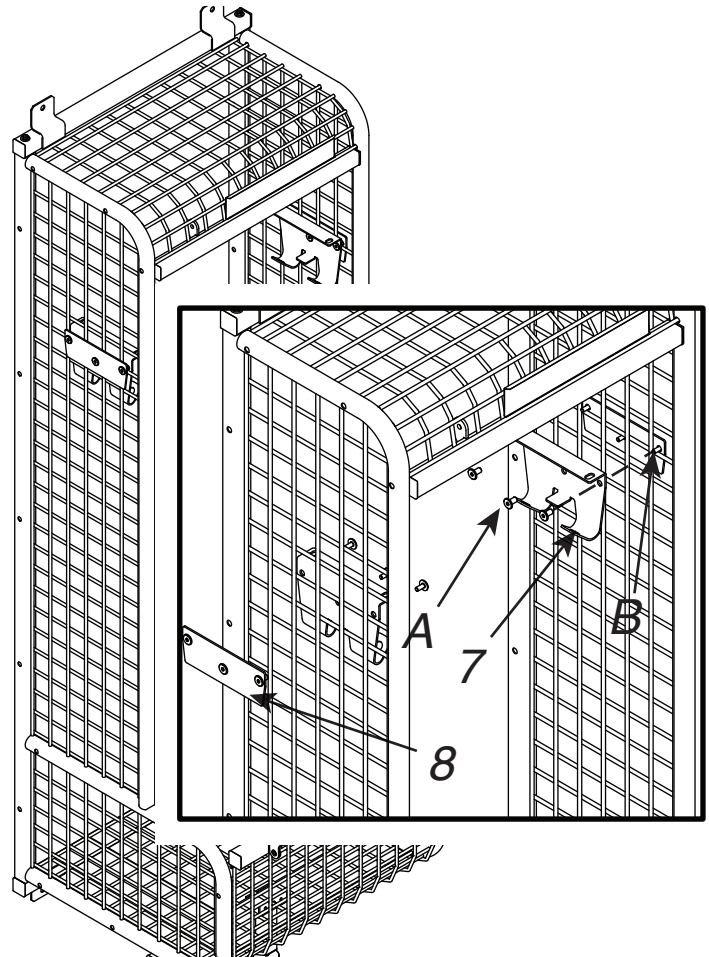
23. *Install additional Island Configuration Lockers by following the steps on the following pages or skip ahead to “Final Assembly” on page 28.*

Final Assembly

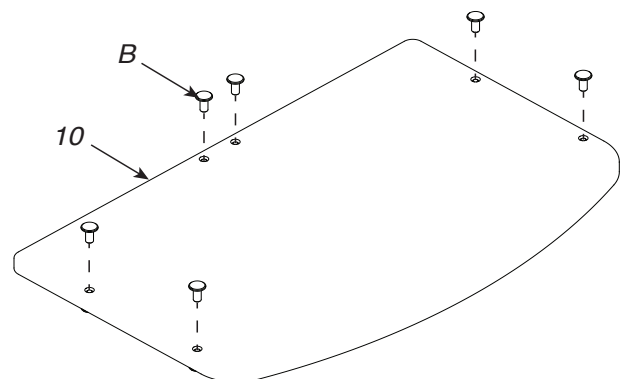
NOTICE

This procedure applies to both Wall and Island locker configurations. A single wall locker is shown for clarity, but the procedure is similar for all configurations.

2. Attach Side Hooks (7) and Hook End Plates (8) to the lockers.
 - a) At a common height, attach Side Hooks (7) back-to-back on the inside of the lockers and Hook End Plates (8) to the ends of the locker bank.
 - b) Secure the Side Hooks and Hook End Plates using three Joint Conn Bolt, (A) and 1/4-20 Insert Nuts (B).



2. Install six 1/4-20 Insert Nuts (B) into either side of all Shelves (10).

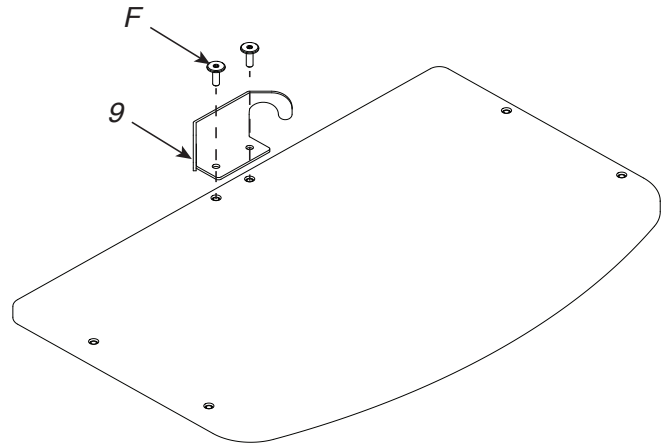


Final Assembly (continued)

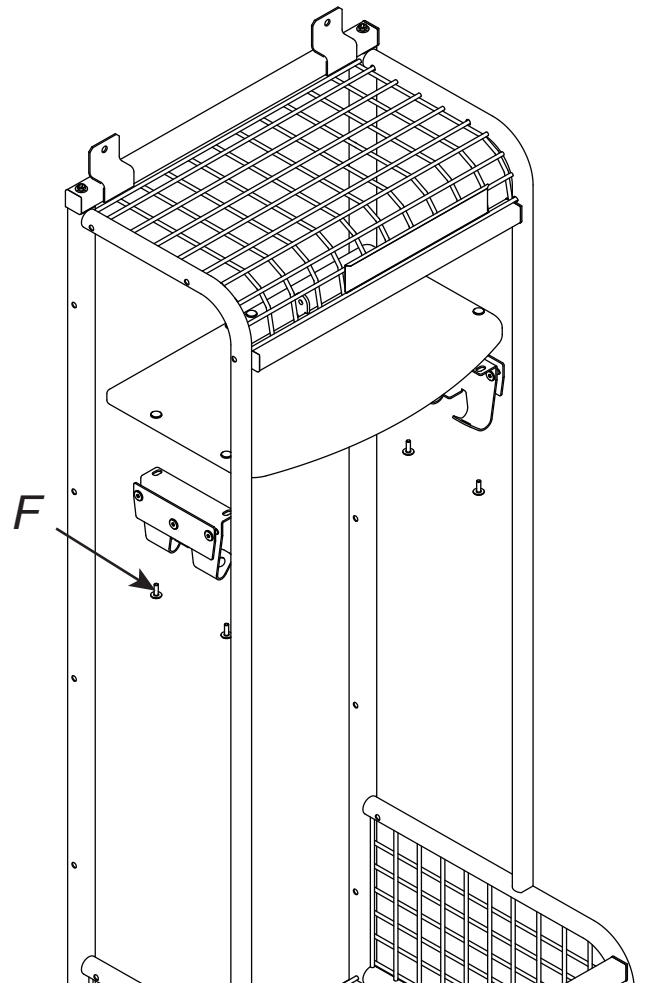
3. On the opposite side of the Shelf, attach one Back Hook (9) to the back side using two Joint Conn, Bolts (F) into the previously installed Insert Nuts.

NOTICE

Image shown upside down for assembly.

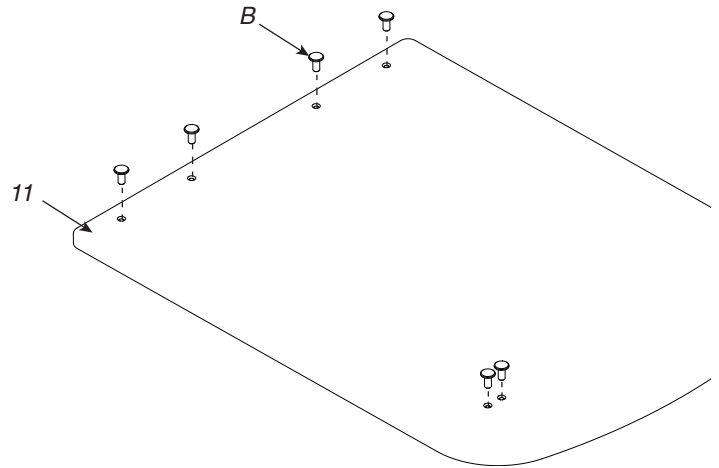


4. In each Locker, place a Shelf (Back Hook Side down) onto the Side Hooks. Attach each side of the Shelf using two Joint Conn, Bolts (F) into the previously installed Insert Nuts.

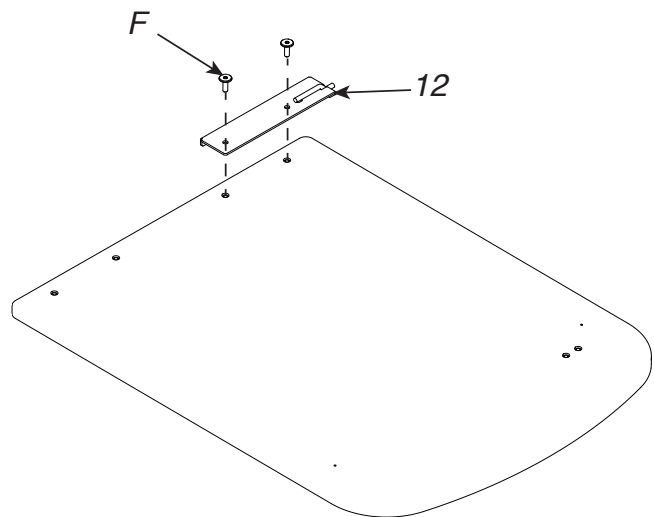


Final Assembly (continued)

5. Push or tap six 1/4-20 Insert Nuts (B) into the top side of all Seats (11).
The top side will have the two front holes on the left when facing up as shown.



6. On the opposite side of the Seats, attach one Seat Hinge (12) to the bottom-right (same side as the front holes) using two Joint Conn, Bolts (F) into the previously installed Insert Nuts.



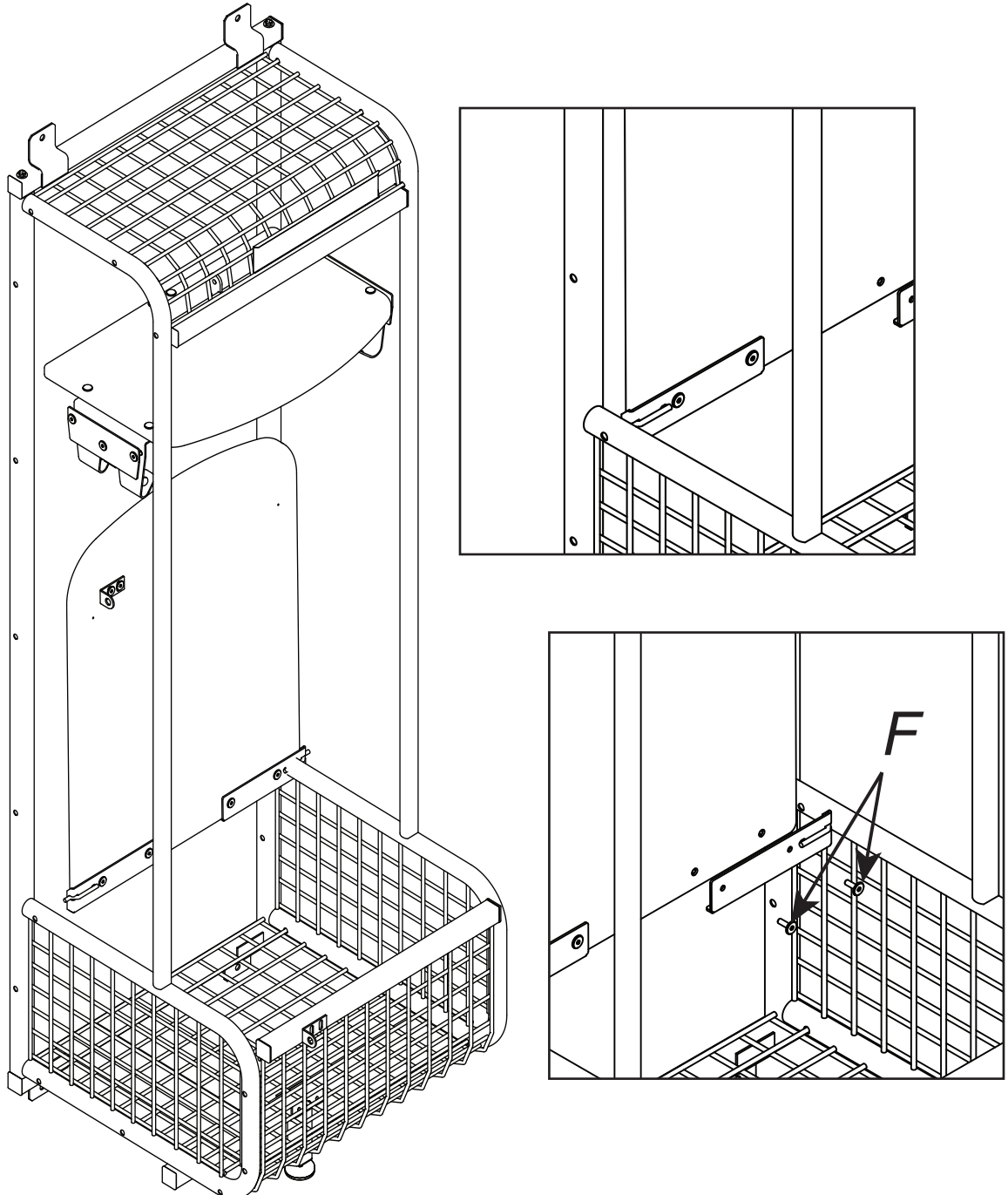
NOTICE

Image shown upside down for assembly.

Final Assembly (continued)

17. In each Locker, attach a Seat:

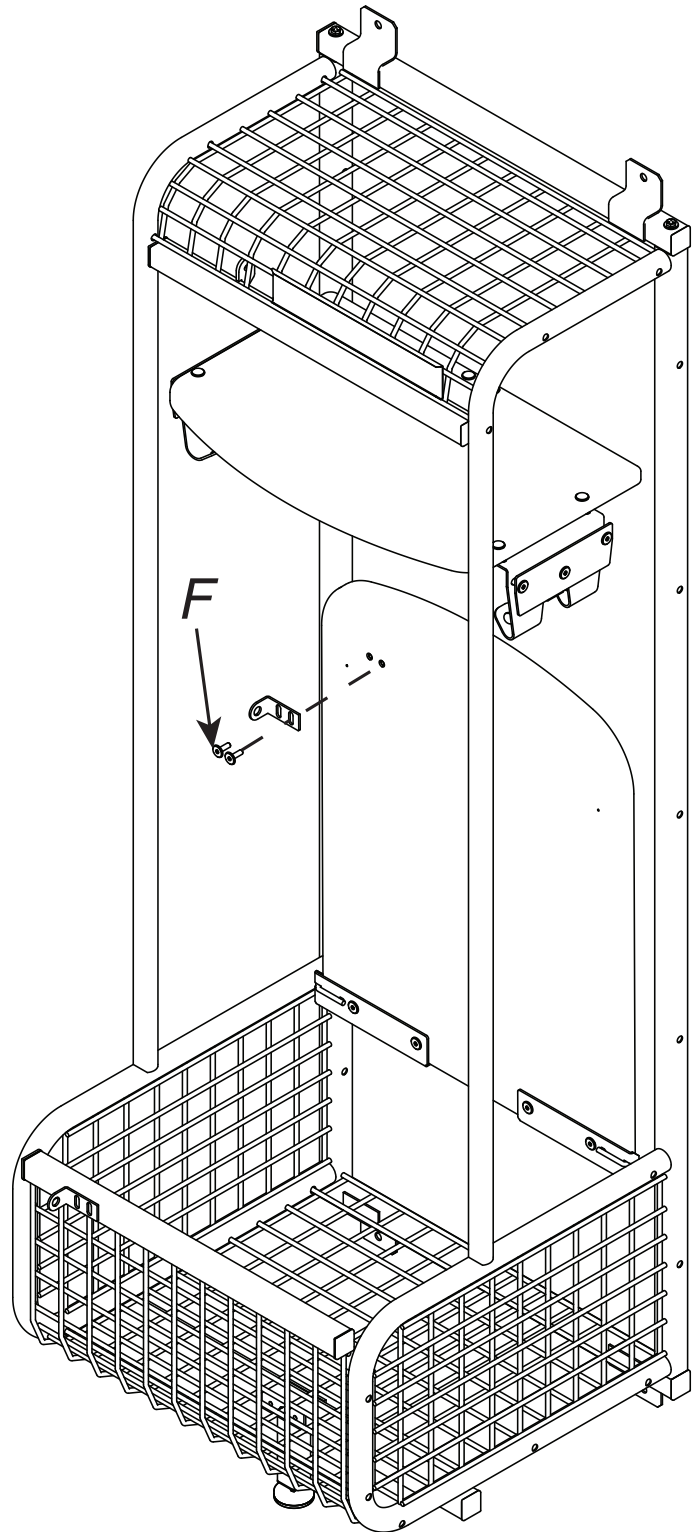
- a) Fit the post on the Seat Hinge (12) into the hole on the inner side of the Left Side Panel.
- b) On the opposite side, fit the post on a Seat Hinge into the hole on the inner side of the Right Side Panel and attach it to the Seat using two Joint Conn, Bolts (F) into the previously installed Insert Nuts.



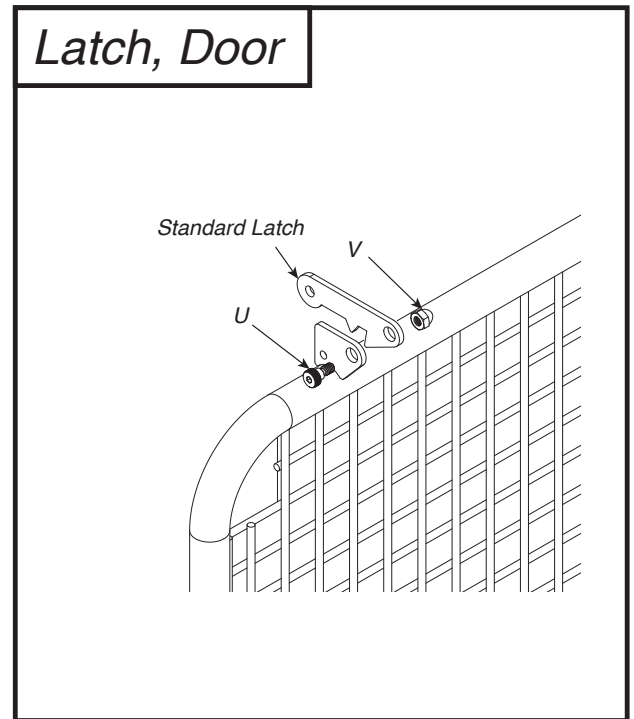
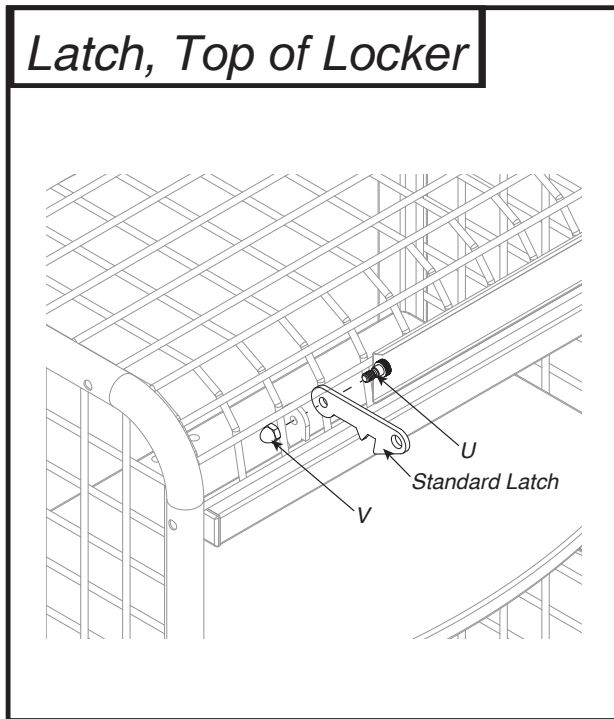
Final Assembly (continued)

8. Attach one Seat Lock Hasp (13) to the bottom-front of each Seat using two Joint Conn, Bolts (F) into the already installed Insert Nuts.

9. If the locker will have doors, refer to the instructions included with the doors.

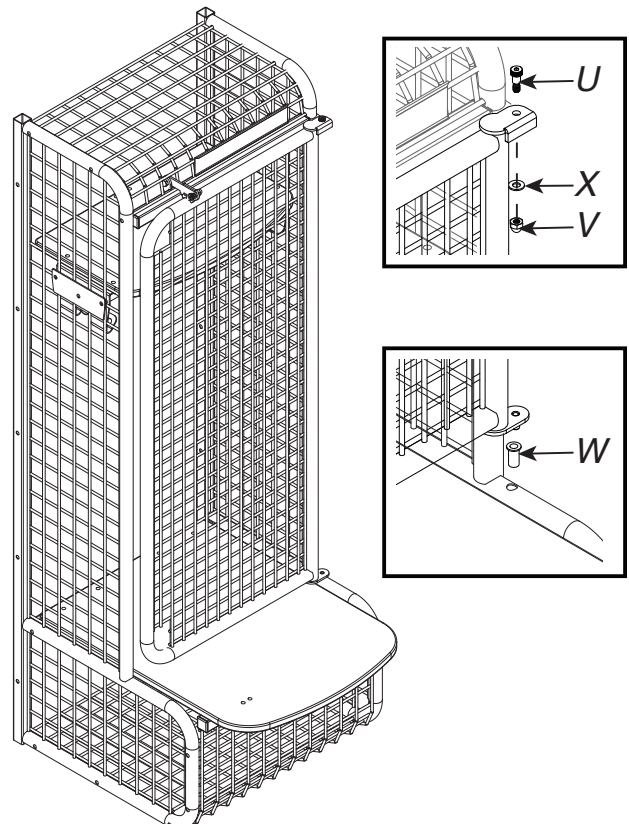


Standard Door Latch Installation (Optional)

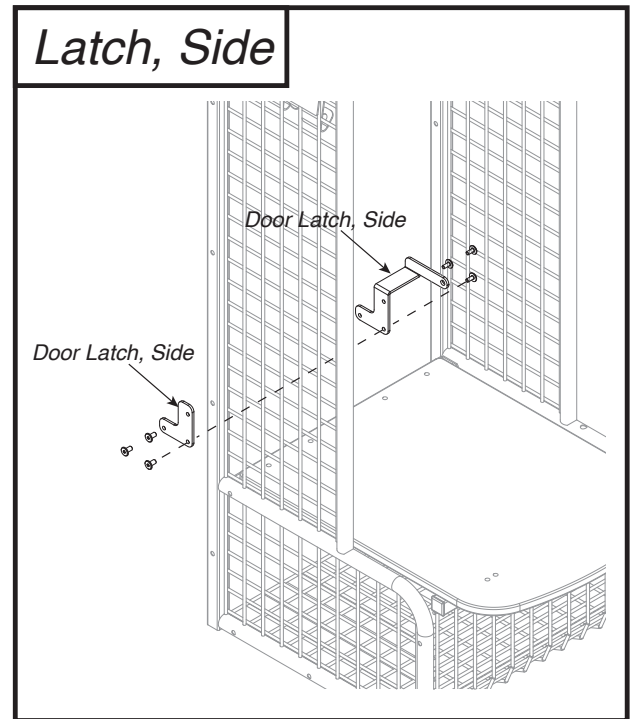
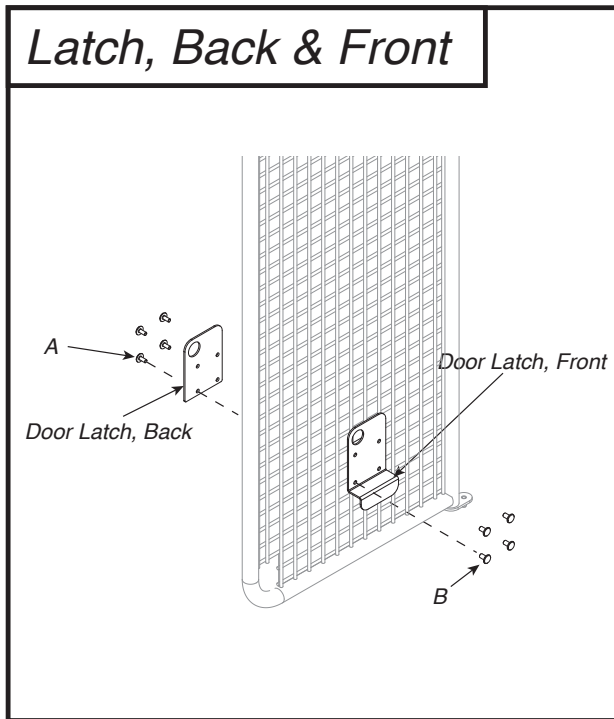


Door Installation (Optional)

1. Install Brass Bushing (W) into the side panel as shown. Slide the door down until the door is fully seated into the brass bushing (W).
2. Slide the top of the door onto the pivot fixture and install Shoulder Bolt (U).
3. Install the Nylon Washer (X) on the Shoulder Bolt (U) and secure with the Acorn Nut (V)

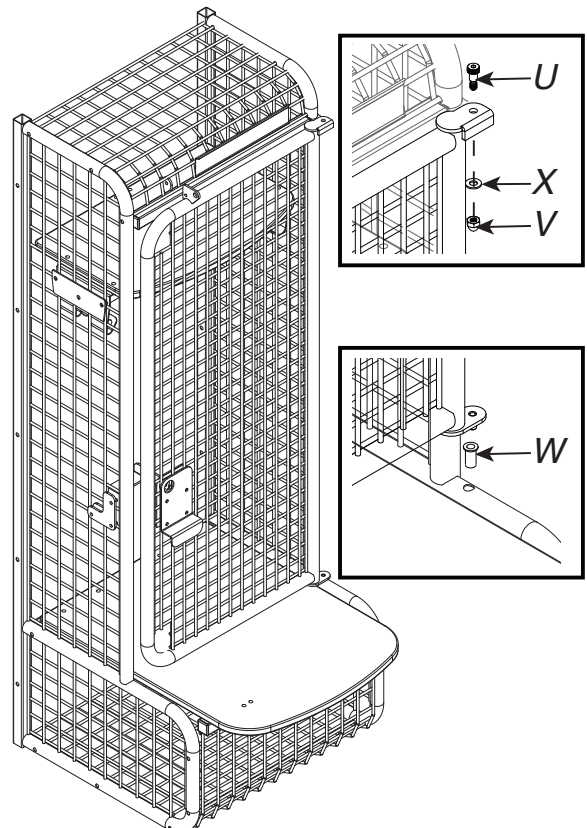


ADA Door Latch Installation (Optional)



Door Installation (Optional)

1. Install Brass Bushing (W) into the side panel as shown. Slide the door down until the door is fully seated into the brass bushing (W).
2. Slide the top of the door onto the pivot fixture and install Shoulder Bolt (U).
3. Install the Nylon Washer (X) on the Shoulder Bolt (U) and secure with the Acorn Nut (V)



Warranty

GEARGRID Wall and Island Mount Lockers are guaranteed to be free of material and workmanship defects for ten (10) years from the date of purchase.

GEARGRID guarantees to repair or replace defective materials, without charge. To file a claim, call our Customer Service department at 888-643-6694. If product return is necessary, your Customer Service representative will authorize the return and make arrangements to replace the defective parts.

This is the sole GEARGRID warranty. GEARGRID disclaims all other warranties, including the warranty of merchantability and fitness for a particular purpose, as well as all liability for incidental, consequential, special, and indirect damage. GEARGRID reserves the right to make product changes without obligation to incorporate such changes into products previously sold.

Some states do not allow the exclusion or limitation of damages or warranties, so the above may not apply to you. This warranty gives you specific legal rights. You may also have other rights which may vary from state to state.

Thank You for choosing GearGrid for smarter, stronger storage solutions.

For your convenience, we've included easy installation instructions for not only the accessories you ordered, but also others available for that unit. Visit www.geargrid.com for a complete roster of handy accessories that can enhance and improve the functionality of your storage unit. You'll also find new ideas for your unique storage applications -- from Fire, Public Works, Law Enforcement, Construction, and Athletic to POP displays and more. Thanks again for choosing GearGrid - everything you need for your toughest storage problems.



670 SW 15th Street, Forest Lake, MN 55025

Toll Free: 888-643-6694 / 651-464-4468

Email sales@GearGrid.com

www.geargridcorp.com



Made in the USA