



# GEARGRID 4-Pack / 6-Pack Mobile Storage System

Assembly Instructions & Owners Manual

Thank you for choosing the Geargrid 4-Pack or 6-Pack Mobile Storage System. Geargrid is committed to high quality products and your complete satisfaction.

Please read this manual before you start the assembly. Call us at 888-643-6694 if you encounter any assembly or product performance problems.

## Before You Begin:

**NOTE:** Two person assembly is required.

## Assembly Preparation:

- Open and remove contents from all boxes
- Check all parts against the parts list
- Organize parts by type
- Locate a clear, level floor
- Lay the shipping carton cardboard on the floor and assemble the unit on it to protect unit from floor damage during assembly.

## Tools Required:

- Rubber Mallet
- 3/8", 7/16", and 9/16" sockets with ratchet
- 1/4" and 5/32" Hex Allen Wrench



**Warranty Information:** GEARGRID Wall Mount Lockers are guaranteed to be free of material and workmanship defects for one full year from the date of purchase. GEARGRID guarantees to repair or replace defective materials, without charge. To file a claim call our Customer Service department at 888-643-6694. If product return is necessary your Customer Service representative will authorize the return and make arrangements to replace the defective parts. This is your sole GEARGRID warranty. GEARGRID disclaims all other warranties, including the warranty of merchantability and fitness for a particular purpose, as well as all liability for incidental, consequential, special and indirect damage. GEARGRID liability shall be limited to the amount you paid for the product under warranty. GEARGRID reserves the right to make product changes without obligation to incorporate such changes into products previously sold. Some states do not allow the exclusion or limitation of damages or warranties, so the above may not apply to you. This warranty gives you specific legal rights. You may also have other rights which may vary from state to state. GEARGRID products are covered by U.S. patents: 6,241,107; D 636,202; D 635,810



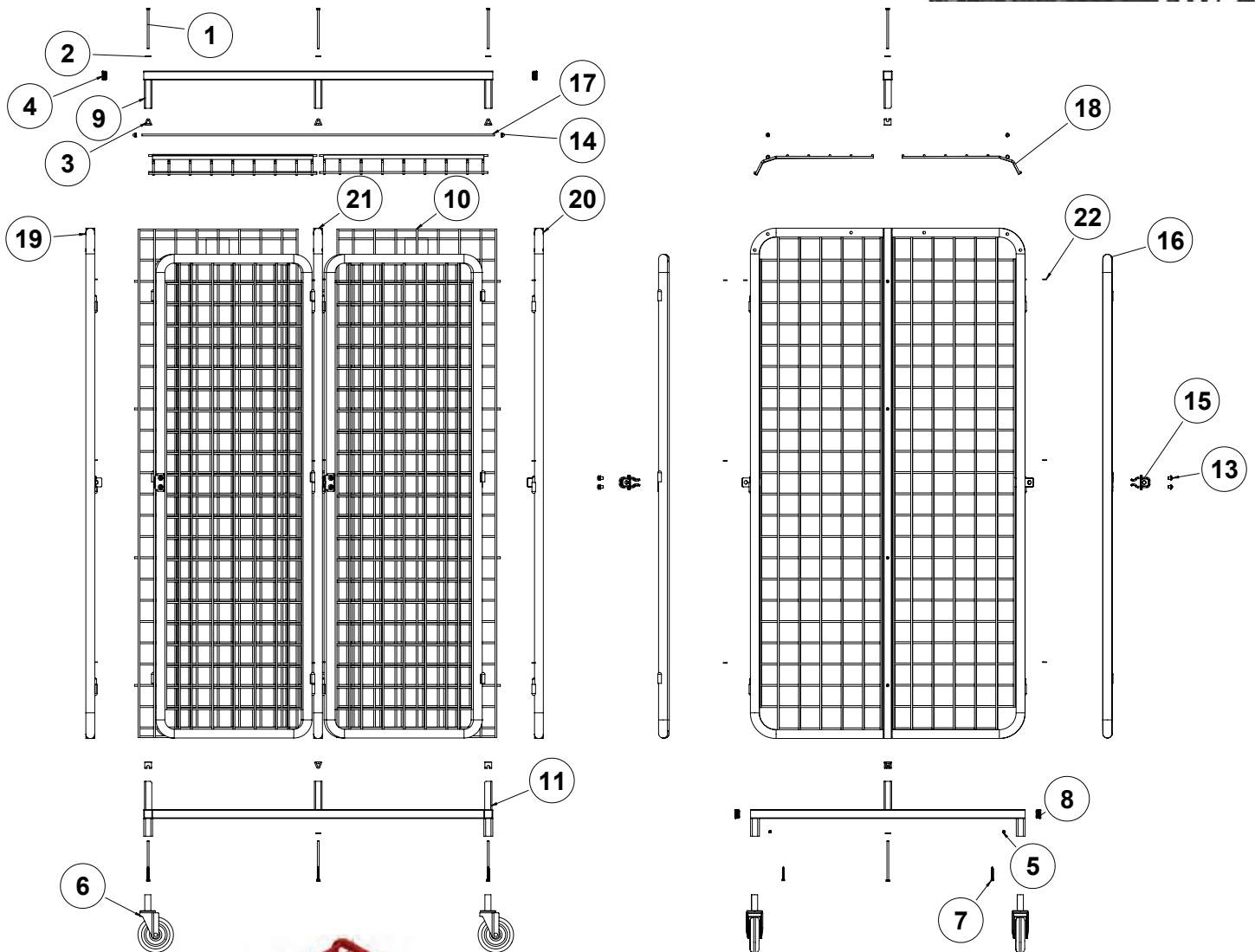
**THANK YOU FOR CHOOSING GEARGRID** for smarter, stronger, storage solutions.  
Setting the standard for craftsmanship, quality, and service.

**For general parts or assembly assistance:** 651-464-4468 or toll free 888-643-6694

**For accessory inquiries:** sales@geargrid.com or 651-464-4468, toll free 888-643-6694

**For our versatile product line, specifications and resources for custom solutions:** www.geargridcorp.com

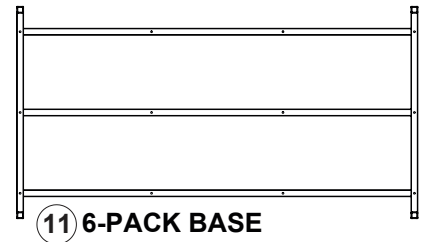
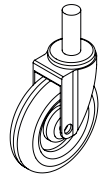
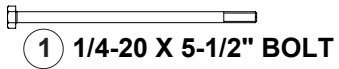
670 SW 15th Street, Forest Lake, MN 55025 | Toll Free: 888-643-6694 | 651-464-4468 | Fax: 651-464-4780  
sales@GearGrid.com | www.geargridcorp.com



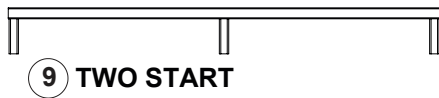
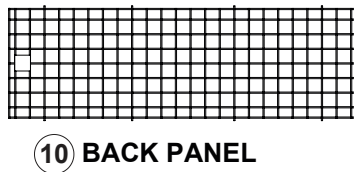
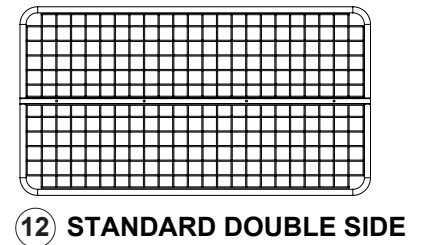
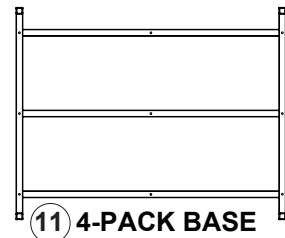
**Notes**

The images at the top of this page show an exploded view of a 4-pack unit with optional doors. Use this view along with the instructions to help with the assembly of the product.

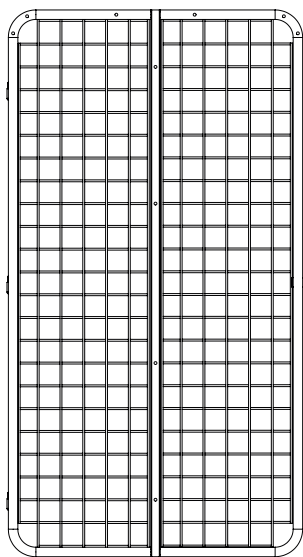
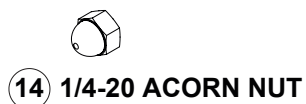
# Parts



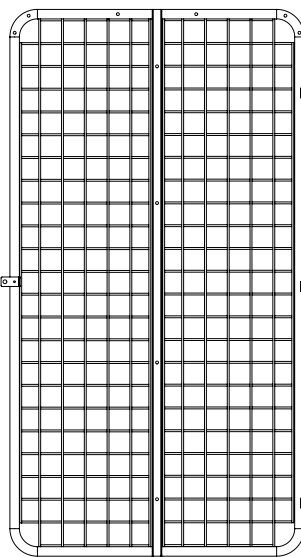
6 CASTER



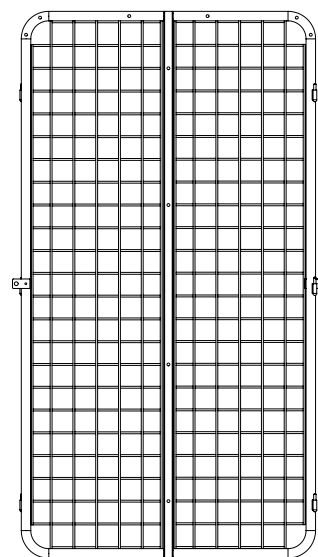
Below is the parts list for the optional doors.



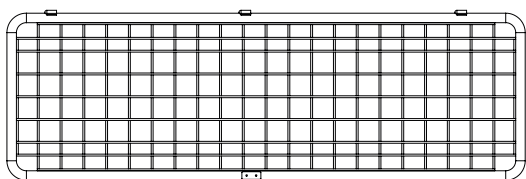
19 LEFT, HINGE-HASP DOUBLE SIDE



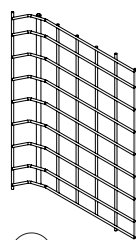
20 RIGHT, HINGE-HASP DOUBLE SIDE



21 MIDDLE, HINGE-HASP DOUBLE SIDE



16 DOOR



18 TOP



17 THREADED STAINLESS ROD

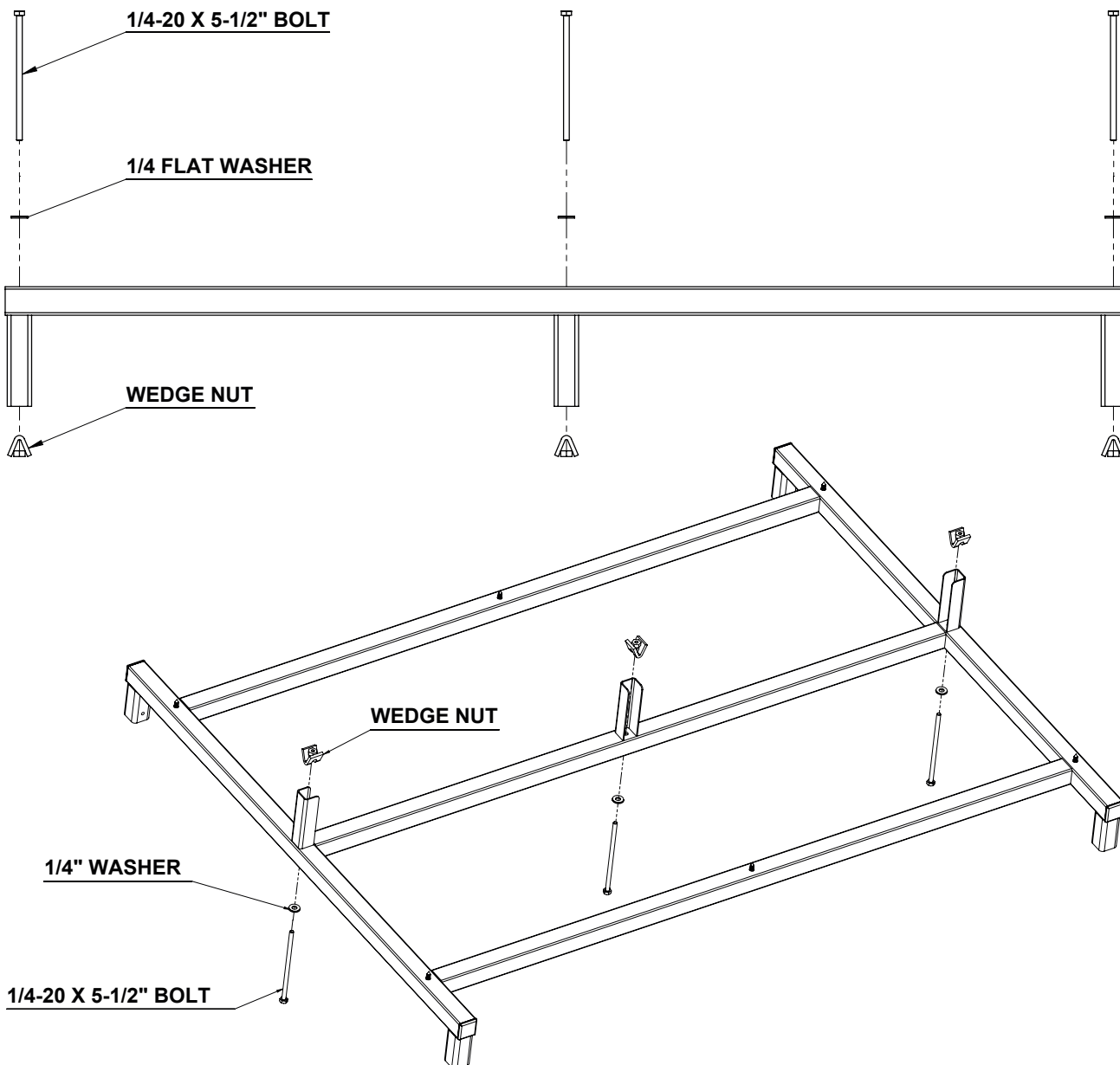


**\*Indicates steps involving optional door assembly**

- |  |  |
|--|--|
| 1) Assemble start tube and base hardware                   | 5) Fasten side panel to base                 |
| 2) Mount side panels to base                               | 6) Install casters or floor mounting options |
| 3) Install back panels ( *install Tops and threaded rods*) | 7) Shelf and apparel hook installation       |
| 4) Install start tubes                                     | 8) *Door installation*                       |

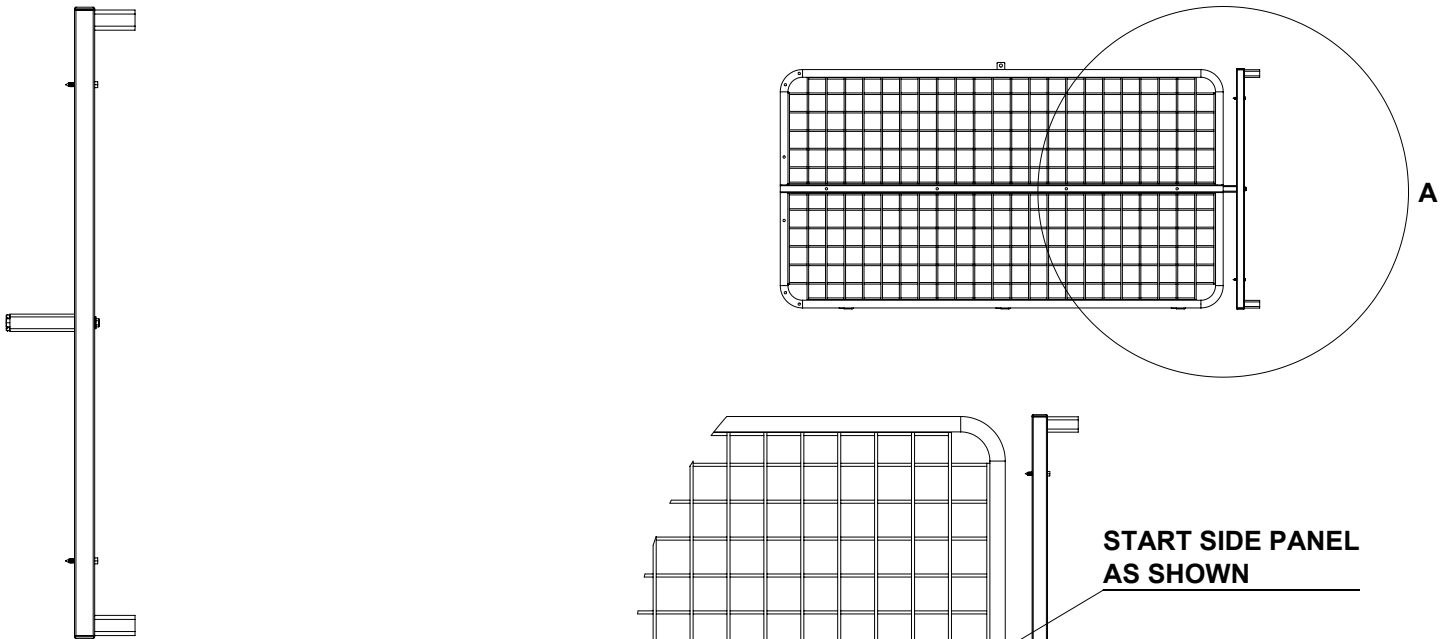
## 1) Assemble Start Tube and Base

**Step 1a:** Locate the following items: start tube (can be a 2-start or 3-start depending on your order), wedge nuts, 1/4-20 x 5-1/2" bolts, 1/4" flat washers. Install the bolt with the washers through each start tube into the U-channels and thread on the wedge nuts as shown. **WEDGE NUTS MUST BE ORIENTED AS SHOWN.** Do not tighten bolts at this time. Follow the same procedure for the base.

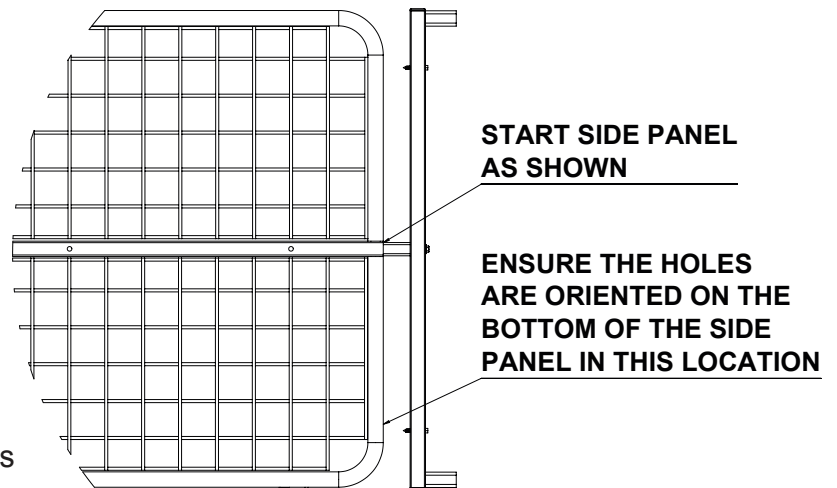


## 2) Assemble Side Panels to Base

**Step 2a:** position base as shown below.



**Step 2b:** Position a side panel so the hole on the bottom of the round tube is located at the base. Slide the side panel over the U-channels as shown. Do not slide the side panel all the way down on the base at this point. **Ensure the side**



**DETAIL A  
SCALE 1 : 4**

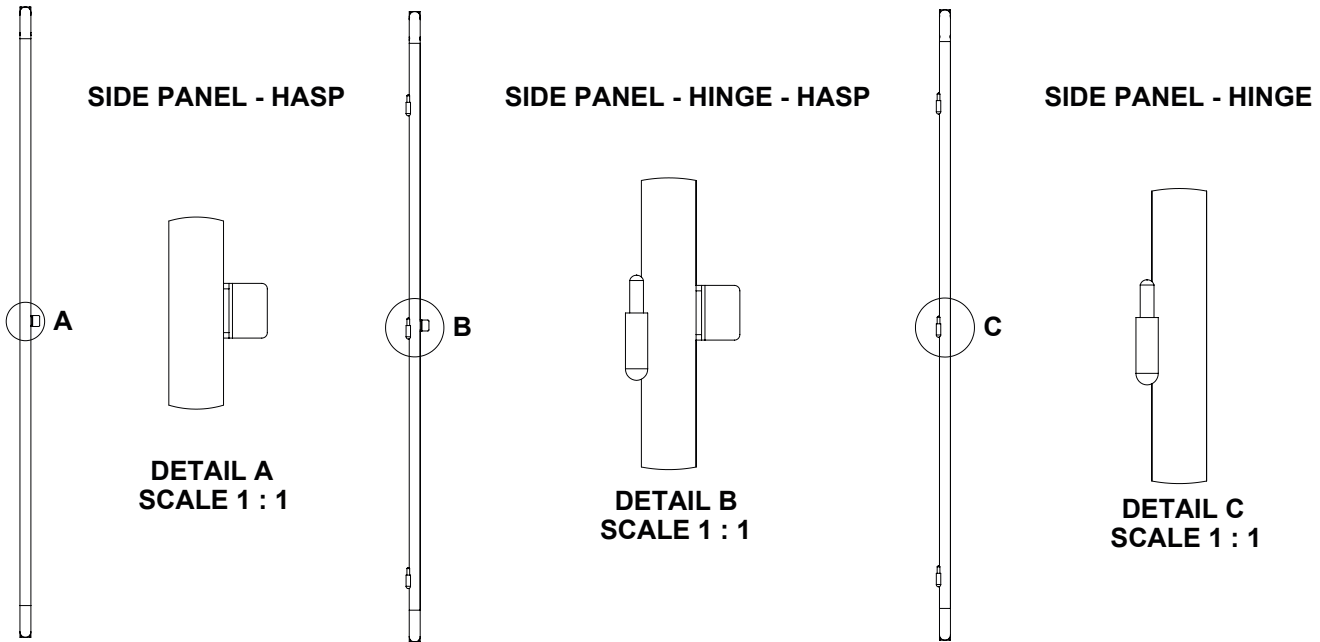
**panels short wires are facing right. The shelves will not fit properly if the sides are oriented incorrectly.** Install the remaining sides per the instructions. \* **If you have ordered the door option see the illustration on Page 7 for side panel orientation.** \*

When assembling a unit with the door options the side panels have an orientation that needs to be followed. The side panel on the left end side will have only a hasp mounted to it. The right end side panel will have only hinges mounted to it. Every side panel in the middle will have both hinges and a hasp mounted to them. See the diagram on Page 7.

### \* ORIENTATION OF SIDE PANELS WITH DOOR OPTION \*

**NOTE:** As you face the unit from one side the short wires on the side panels will all be on the right side. As you face the unit from the other side all the short wires on the side panels will be on the left side.

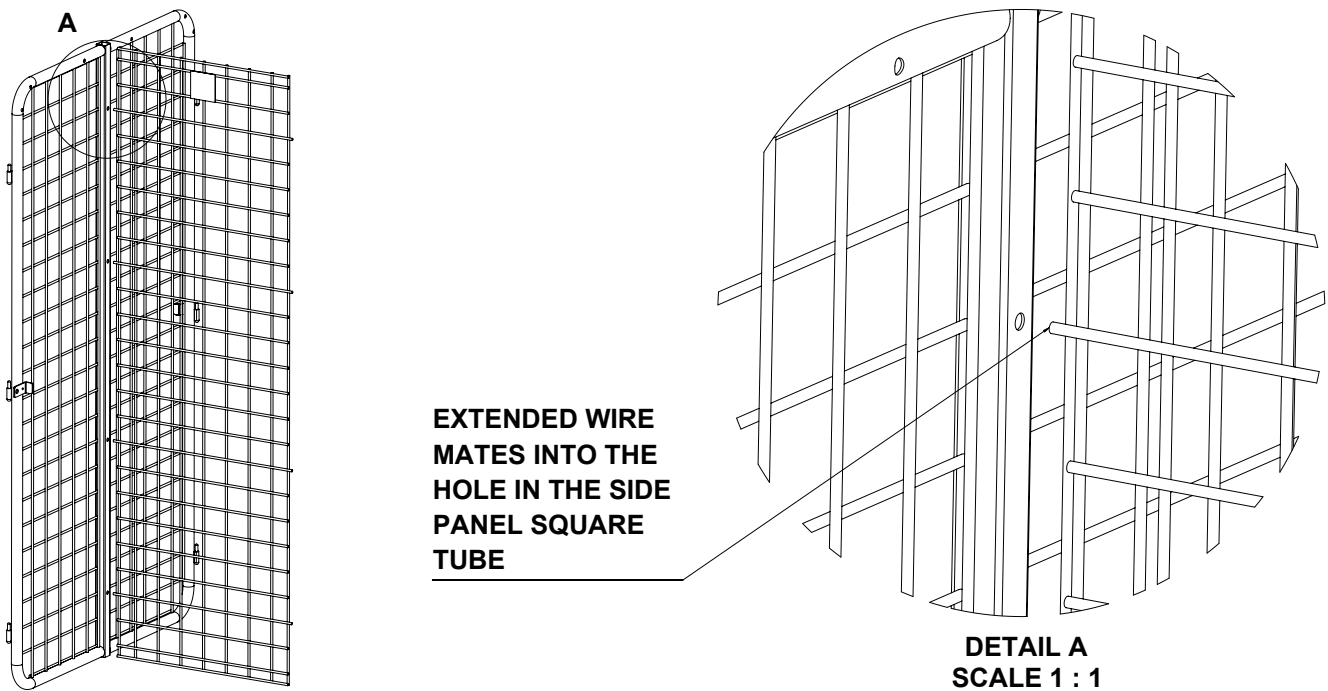




**3) Install Back Panels**

**Step 3a:** Slide the side panels out enough to allow the back panel to be placed into position. The extended wires on the back panels will mate into the holes on the side panel square tubes. Place all panels into position with the GearGrid logo at the top.

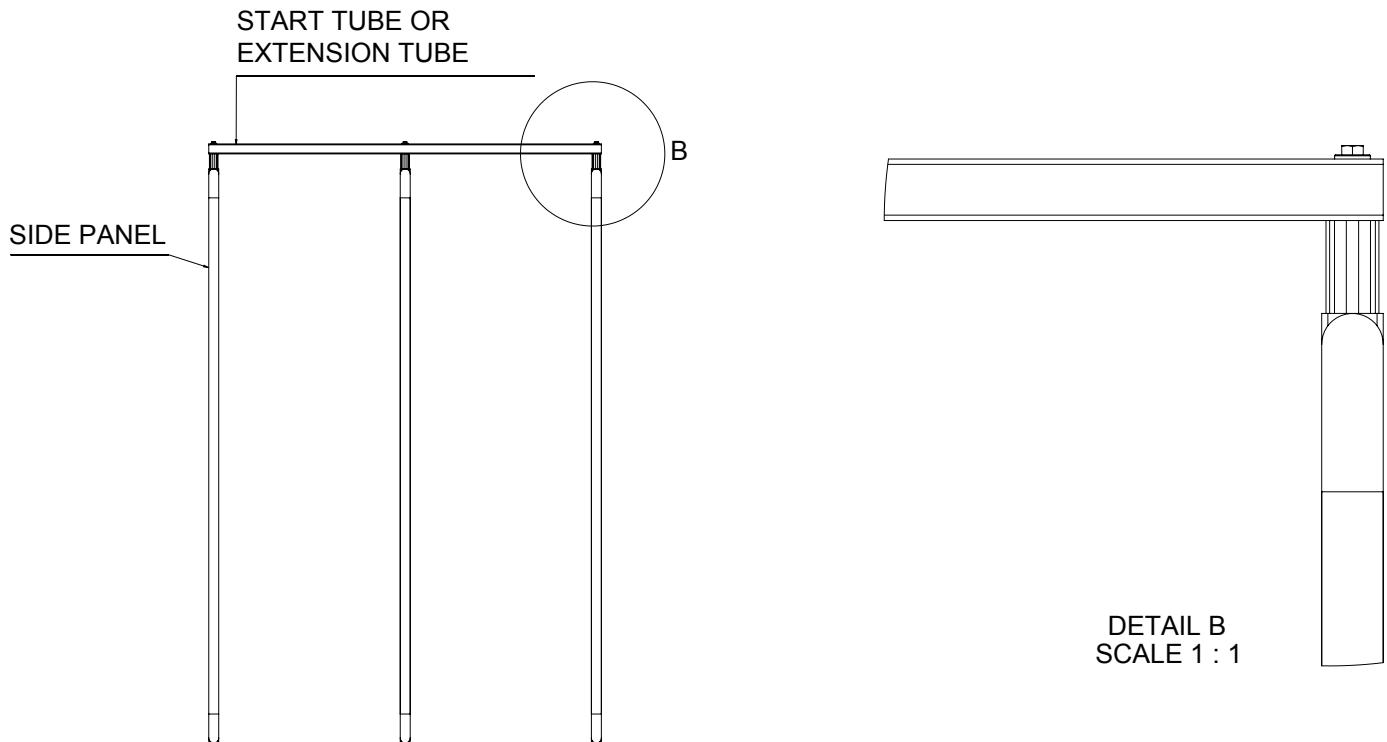
\* If you have ordered the door option, install the tops now. For this step, use the same process as the Back Panel Installation. Next, install the threaded rod through all tops and side panels then thread on the two castle nuts.



**Step 3b:** Once the side and back panels are in position it is now time to seat those components all the way down on top of the base.

## 4) Install the Start Tube

**Step 4a:** : locate the start tube with the assembled hardware. Slide the start tubes U-channels into the top of the side panels as shown in the diagram below. Tighten the bolts, do not over tighten.



## 5) Fasten the Side Panels to the Base

**Step 5a:** Install the #14 sheet metal screws up through the bottom of the base and into the bottom of each side. Tighten these screws.

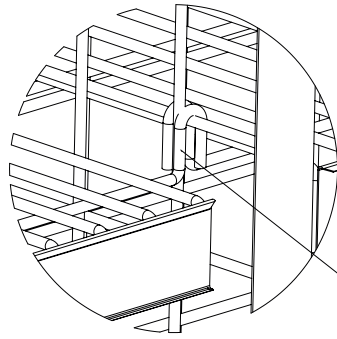
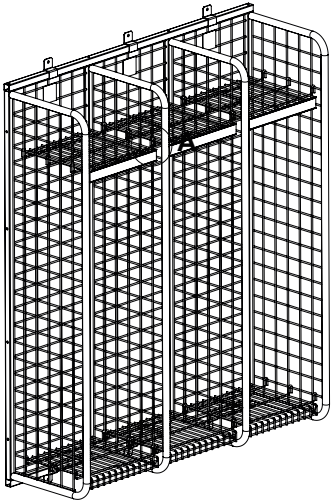
## 6) Install Casters or Floor Mounting Options

**Step 6a:** Install the casters into the base legs and install the 1/4-20 x 3/8" set screws into the back of the base legs. Ensure the casters are pressed all the way up when tightening the set screws. Tip fully assembled base unit up onto its casters.

## 7) Shelf and Apparel Hook Installation

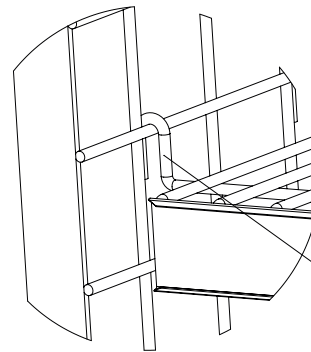
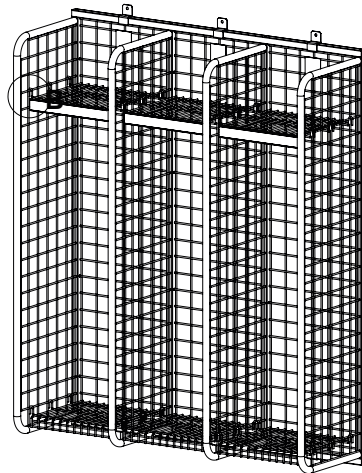
**Step 7a:** Install the shelves into the unit as shown in the diagrams on Page 9. The hooks on the shelves get placed over the horizontal wires on the side panels. The left side hook will be placed behind the first vertical side panel wire. The right side shelf hook will get placed in front of the first vertical wire.





**RIGHT SIDE OF SHELF  
THE SHELF WIRE GOES IN  
FRONT OF FIRST VERTICAL WIRE**

**DETAIL A  
SCALE 1 : 1**



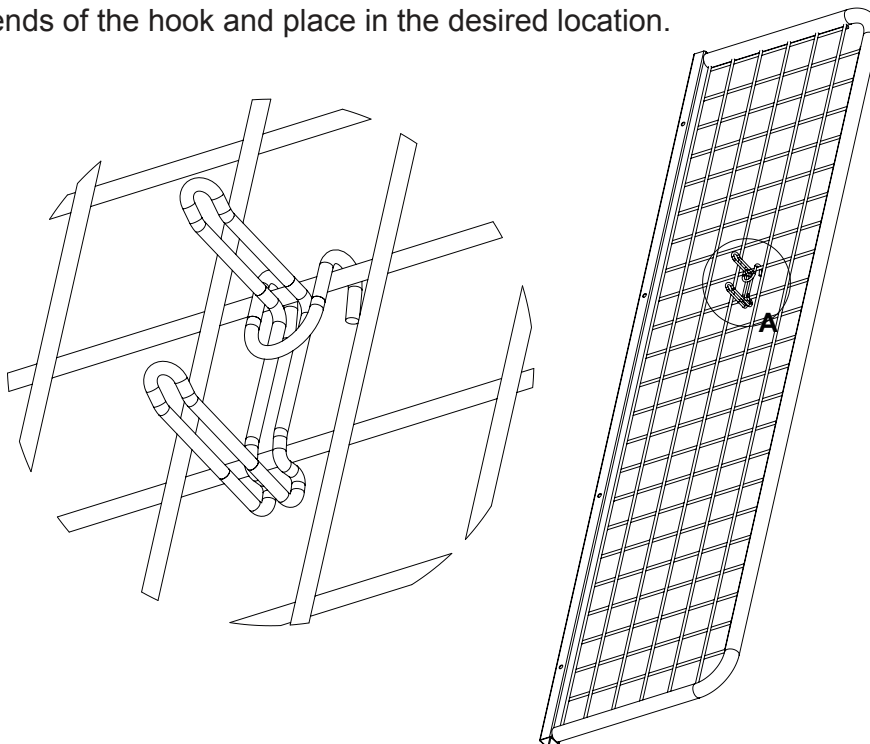
**LEFT SIDE OF SHELF  
THE SHELF WIRE GOES  
BEHIND THE FIRST  
VERTICAL WIRE**

**DETAIL B  
SCALE 1 : 1**

**Step 7b:** Install the apparel hooks as shown in the diagram below.

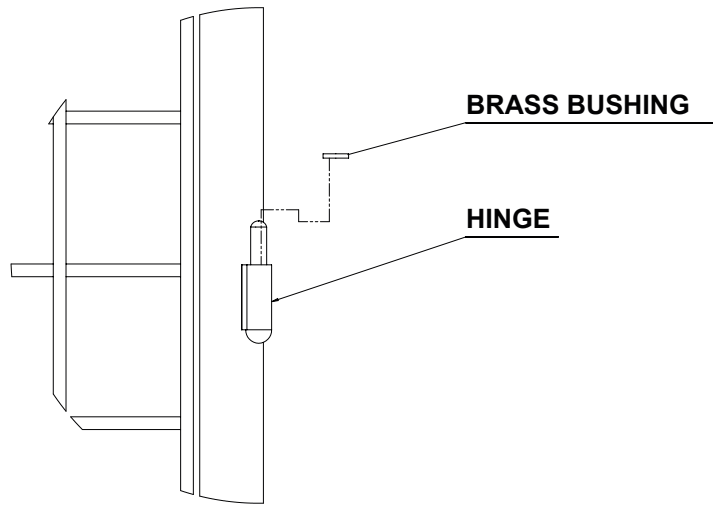
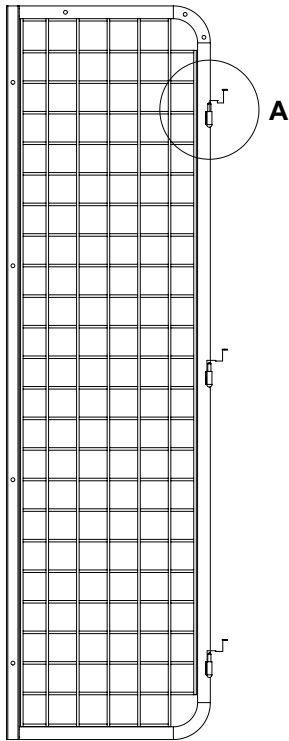
Squeeze the ends of the hook and place in the desired location.

**SQUEEZE THE  
TWO ENDS OF  
THE APPAREL  
HOOK TO  
INSTALL TO  
GRID**



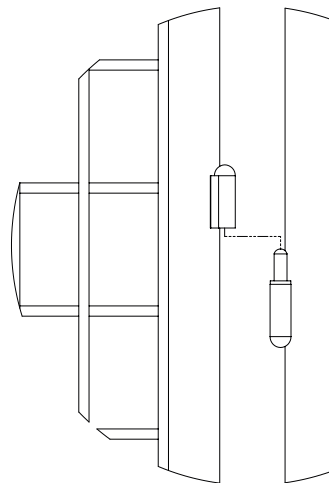
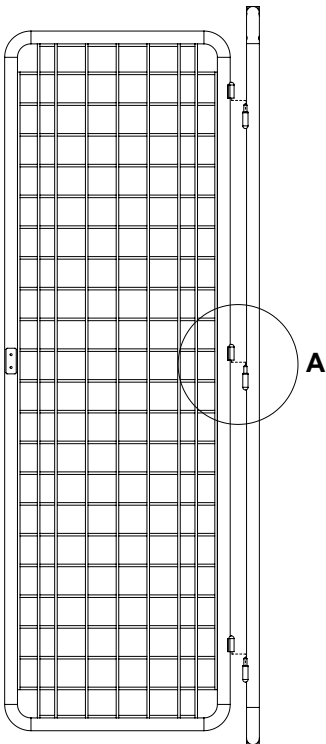
8) \*Optional Door Installation

**Step 8a:** Install the brass bushings on all hinges located on the side panels as shown below.



**DETAIL A**  
**SCALE 1 : 1**

**Step 8b:** Install doors over the hinges as shown below.



**DETAIL A**  
**SCALE 1 : 1**

**Step 8c:** Install the door hasps finger tight using the supplied 1/4-20 x 3/8" button head screws as shown below. Close the door to align the position of the hasps and then tighten the screws with an Allen wrench.

